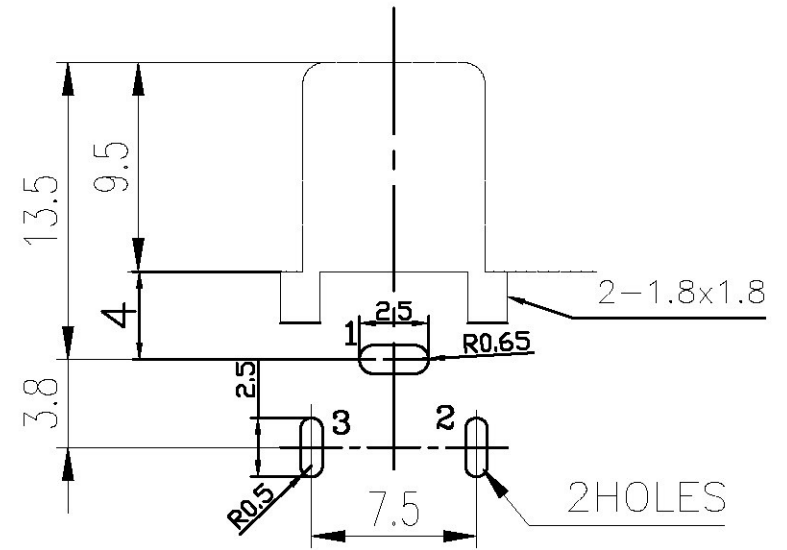
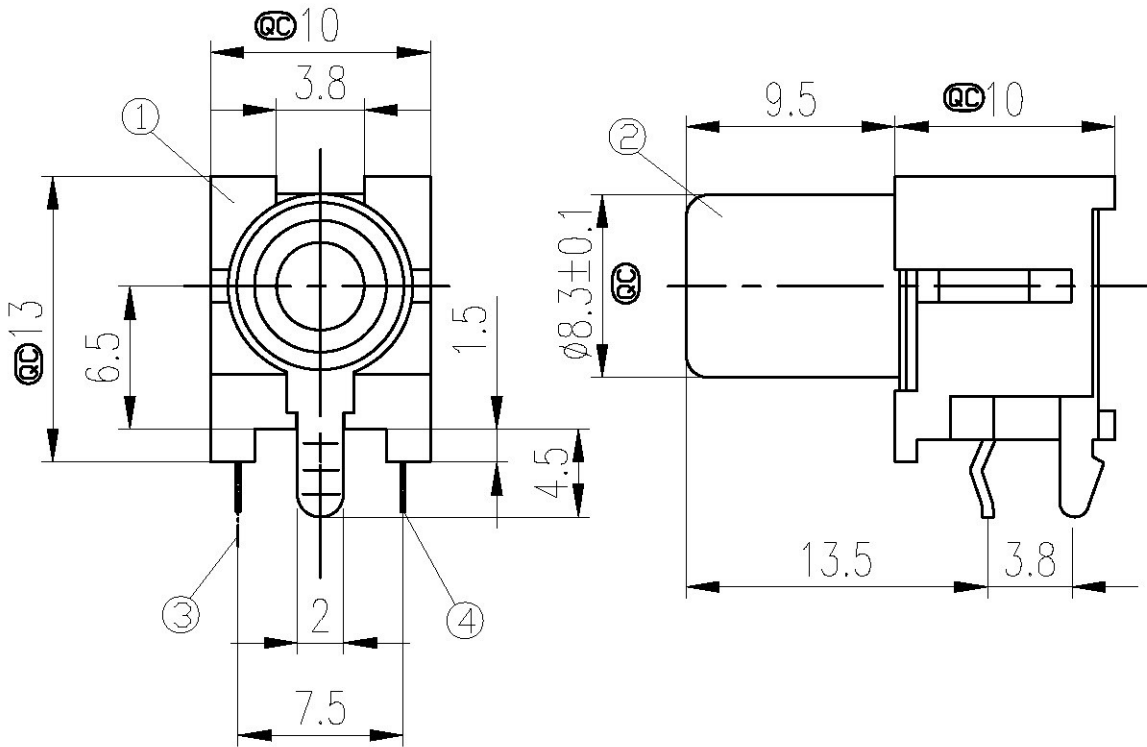
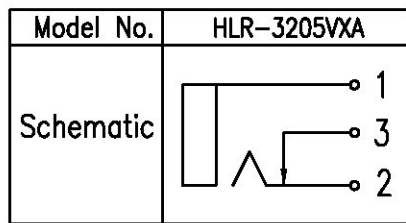


ECN NO.	REV	MODIFICATION	DATE	DRAW	APPROVE
	A1	NEW ISSUES	2009.07.02	JULY	ALAN



T:1.6 Dimensions of PC board holes  
Tolerance :  $\pm 0.1$  (Printed-side view)

MODEL NO.	COLOR OF HOUSING
HLR-3205VXA-001H	BLACK
HLR-3205VXA-002H	YELLOW
HLR-3205VXA-003H	RED
HLR-3205VXA-004H	WHITE
HLR-3205VXA-005H	ORANGE



LEAD FREE

NO.	DESCRIPTION	QTY	MATERIAL	REMARK
4	SHUNT SPRING	1	C2680 t=0.4	Cu/Sn PLATED
3	TIP SPRING	1	C5191 t=0.3	Cu/Sn PLATED
2	OUTER CONTACT	1	C2680 t=0.4	Cu/Sn PLATED
1	HOUSING	1	PBT 4815	UL-94V0

QC Inspection Item	DIMENSION IN mm [Inch]		
	TOLERANCE UNLESS OTHERWISE SPECIFIED		
	X $\pm 0.5$	X $\pm 3^\circ$	
	XX $\pm 0.3$	XX $\pm 2^\circ$	
XXX $\pm 0.25$			
APPROVE	CHECK	DRAW	PRCL
JACK	ALAN	JULY	SCALE 1:1
DWG NO. HLR-3205VXA		FILE NO. HLR-3205VXA	TITLE PIN JACK
CUSTOMER COPY		SHEET 1 / 1	REV A1