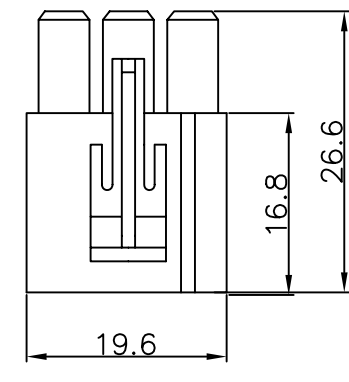
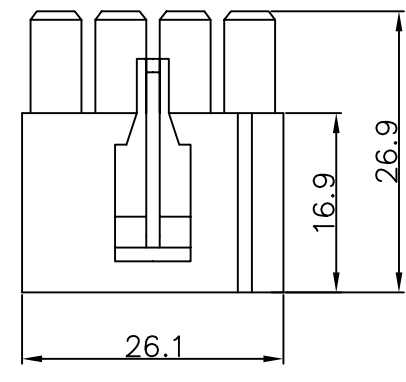
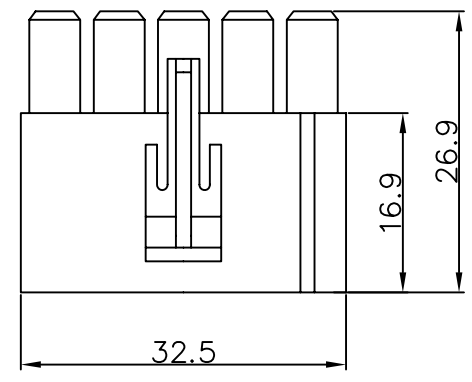
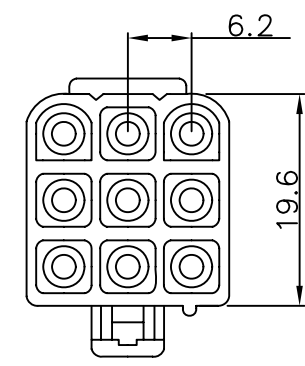
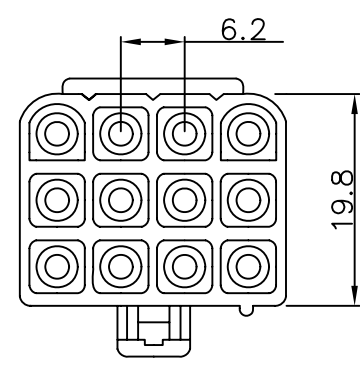
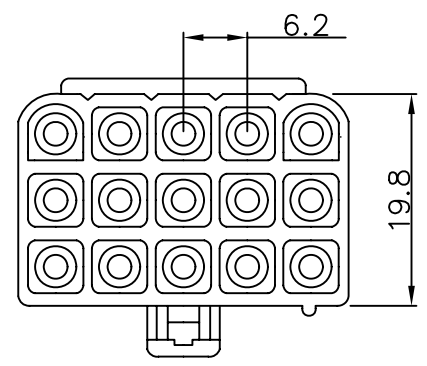


SPECIFICATIONS  
 Circuit:1,2,3,4,6,9,12,15  
 Voltage rating:300V AC,DC  
 Current rating:12A AC,DC  
 Withstanding voltage:1500V AC/minute  
 Insulation resistance:1000M  $\Omega$ HM min  
 Temperature range:-25 C~+90 C  
 Material:UL94V-2 nylon 66

L-S-3Xxx-LF  
 LEADFREE

RoHS Compliant



L-S-3X05

L-S-3X04

L-S-3X03



PART NO. L-S-3Xxx

DWG NO. L-S-3Xxx

FILE NO.

CHECKED BY CY

DRAWING BY

TOLERANCES ARE  
 .X ± 0.3  
 .XX ±  
 .XXX ±  
 AWG

DESCRIPTION:

焯倫股份有限公司

UNIT / mm

SCALE 1:1

PROJECTION

AREA

REVISIONS

HK

DATE