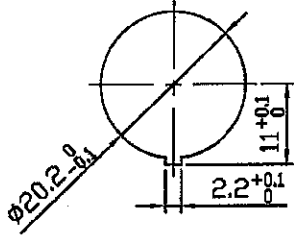
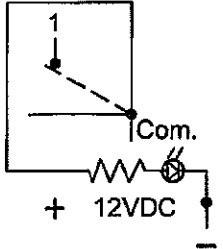


Rating	20A 14VDC	Mounting Hole  Thickness:0.7~3.0	Circuit Diagram  LED dependent
Contact Resistance	50m ohm Max.		
Insulation Resistance	DC 500V 100M ohm Min.		
Dielectric Strength	AC 1000V 1 minute		
Operation Temperature	-25°C~85°C		
Switch Function	3P SPST OFF-ON(LED dependent)		

Material:

Frame: Black, Nylon 66 (94-V2)

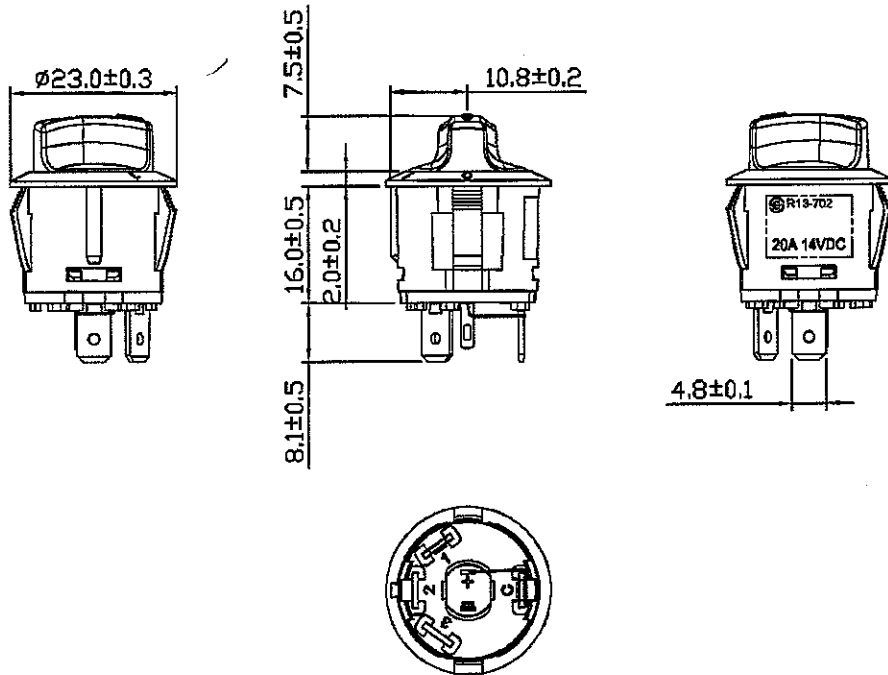
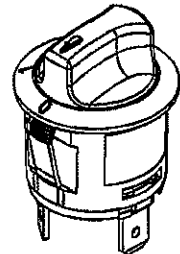
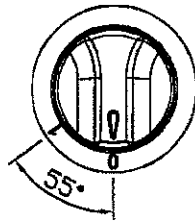
Actuator: Black, Nylon 66 (94-V2)

Lens: White diffuse

Terminals: Silver plated, Copper alloy

LED: Red

Hot stamping: White, 0,1



2015-2.4

						△	
						△	
Date		Name		Description		NO	
Drawn	Checked	Approved	SCI BOM No.		Model Name	ROTARY SWITCH	
曹盈芳		王/山	Customer No.		Model No.	R13-702A1-02-BBW-1DR00-1	Rev.
01/13/15		1/13/15	Unit	mm			X0