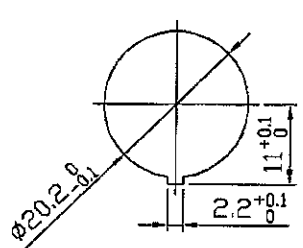
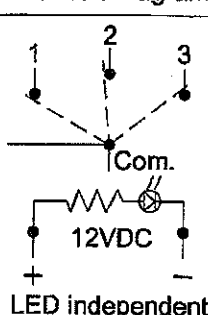


Rating	20A 14VDC	<b>Mounting Hole</b> 	<b>Circuit Diagram</b> 
Contact Resistance	50m ohm Max.		
Insulation Resistance	DC 500V 100M ohm Min.		
Dielectric Strength	AC 1000V 1 minute		
Operation Temperature	-25°C~85°C		
Switch Function	6P SP3T OFF-ON-ON-ON(LED independent)		

**Material:**

Frame: Black, Nylon 66 (94-V2)

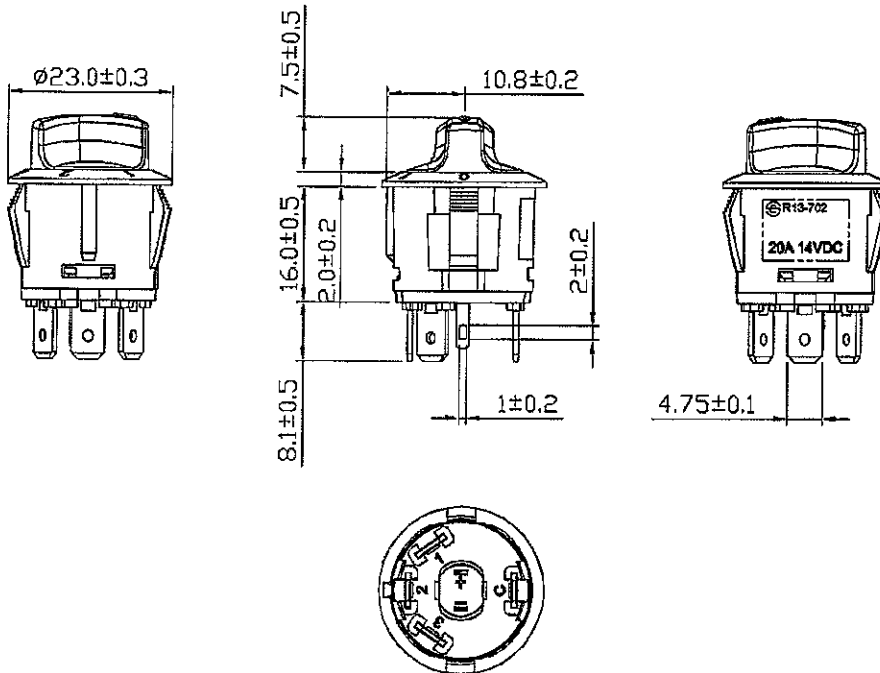
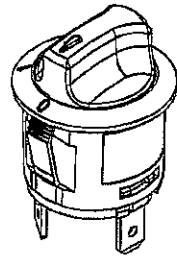
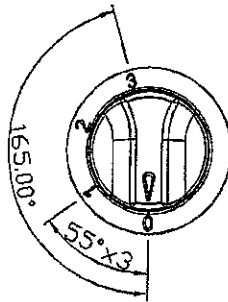
Actuator: Black, Nylon 66 (94-V2)

Lens: White diffuse

Terminals: Silver plated, Copper alloy

LED: Red

Hot stamping: White, 0,1,2,3



C3\WORK\14\13-702C1-02-BBW-1LR00-1\_X0

								△ △ NO	
<b>Date</b>	<b>Name</b>	<b>Description</b>							
Drawn	Checked	Approved	SCI BOM No.	1940015	Model Name	ROTARY SWITCH			
B.S.Wang		<i>[Signature]</i>	Customer No.		Model No.	R13-702C1-02-BBW-1LR00-1			
1/10/11		<i>[Signature]</i>	Unit	mm					