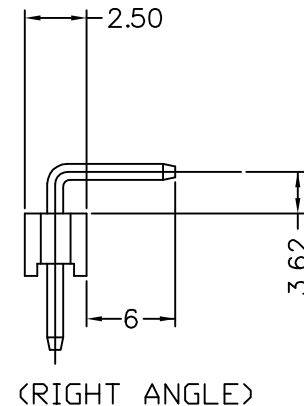
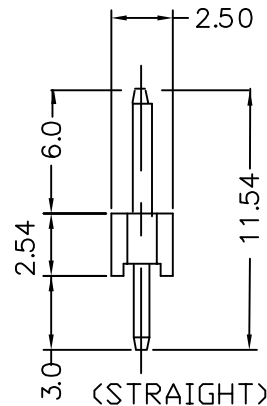
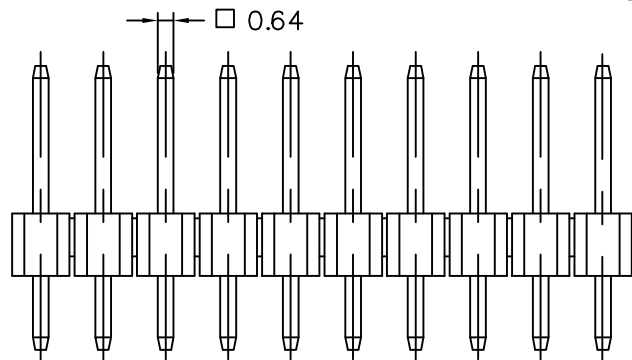


NOTE: 2~40 POSITION



Specifications:

Insulator Material: PBT & 30% Glass Fiber(UL 94V-0)

Contact Resistance: 30MΩ Max at DC 100MA

Insulator Resistance: 1000MΩ Min at DC 500 V

Current Rating: 1 AMP

Dielectric Withstanding Voltage: AC 500V For 1 minute

Temperature Rating: -55°C ~ +105°C

Contact Material: Phosphor Brass

| | | | | | |
|------|-------|-------------------------------|---------|------------------|------|
| PROJ | | SCALE : F DO NOT SCALE DWG | | MOLD NO 2130E | |
| APP | | MODEL | FILE NO | REV. | |
| CHK | CCJ | 94.05.20 | (RoHS) | X1 | |
| DGN | AMY | 94.05.20 | UNIT | SHT 1 OF 1 | SIZE |
| DRW | SHIEH | 94.05.20 | MM | | A4 |