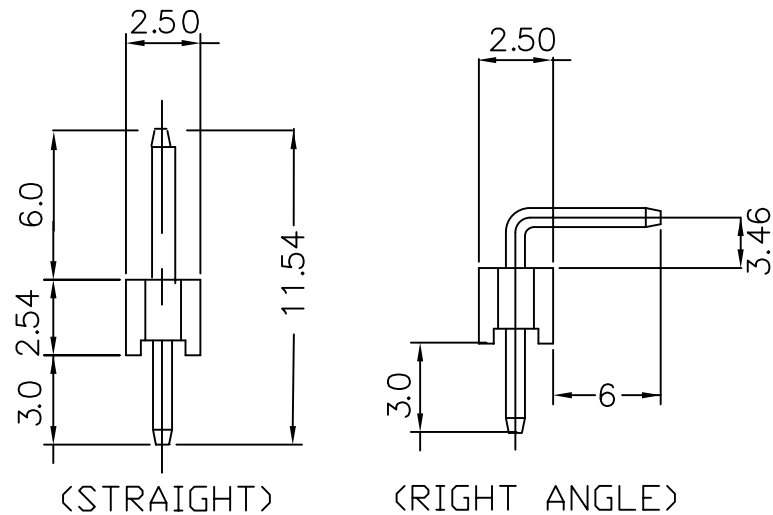


NOTH :2 ~40 POSITION




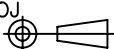
PN:2130-xxxxE

POSITION
xx=(1*xxPIN)
02PIN~40PIN

TYPE
S:STRAIGHT<180D>
R:RIGHT ANGLE<90D>

Specifications:

- Insulator Material: PBT & 30% Glass Fiber(UL 94V-0)
- Contact Resistance: 30MΩ Max at DC 100MA
- Insulator Resistance: 1000MΩ Min at DC 500 V
- Current Rating: 3 AMP
- Dielectric Withstanding Voltage: AC 500V For 1 minute
- Temperature Rating: -55°C ~ +105°C
- Contact Material: Phosphor Brass

 易昕企業有限公司 LEAMAX ENTERPRISE CO., LED.			
PROJ 	SCALE : F DO NOT SCALE DWG	2130S1*40GRE	
APP James	101.01.16	MODEL	REV. X2
CHK Shirley	101.01.16	P/H xxP(1*N) Pitch:2.54mm 180° & 90° RoHS	
DGN Shirley	101.01.02	UNIT	SHT 1 OF 1
DRW Huang	101.01.02	MM	A4