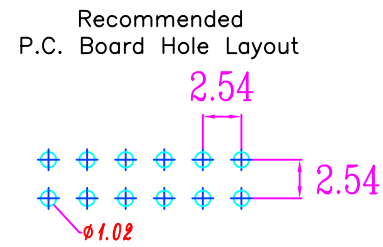
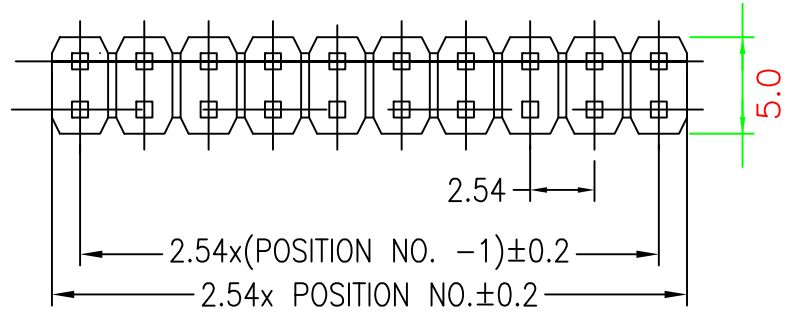
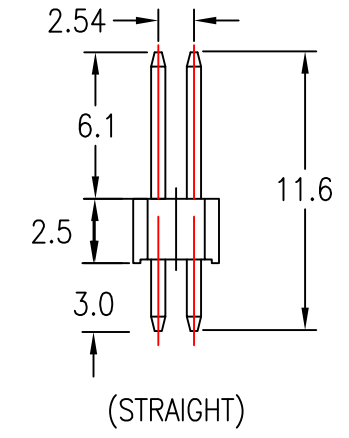


1 2 3 4 5 6 7

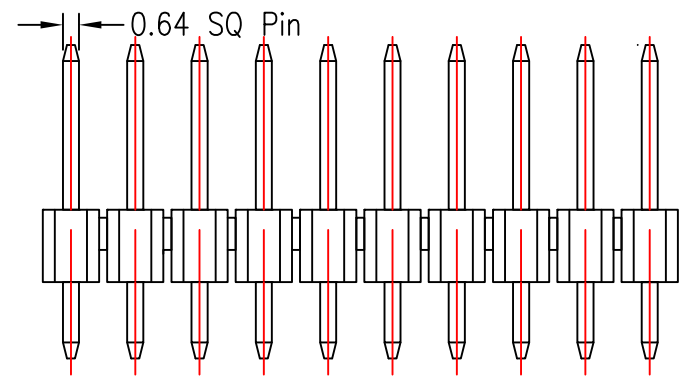
A



NOTE :4 ~80 POSITION



B



PN:2131-xxSE  
 POSITION \_\_\_\_\_  
 xx=(2\*xxPIN)  
 04PIN~80PIN  
 TYPE \_\_\_\_\_  
 S:STRAIGHT(180D)

C

D

Specifications:

- Insulator Material:PBT &30% Glass Fiber(UL 94V-0)
- Contact Resistance: 20m ohms max at DC 100mA
- Insulator Resistance: 1000M ohms min at dc 500V
- Current Rating: 1 AMP
- Dislectriv Withstanding Voltage:AC 500V For 1minute
- Temperature Rating: -40°C ~ +85°C
- Contact Material: Phosphor Brass
- RaHS

E

**2131D2\*9GSE**

PROJ 	SCALE : F DO NOT SCALE DWG	DWG NO.2131-S00
----------	-------------------------------	-----------------

GENERAL TOLERANCE ± 0.20	APP	James	01-04-14	TITLE P/H xxP(2*N) Pitch:2.54mm 180D RoHS TYPE	REV. X5
	CHK	Shirley	29-04-13		
	DRW	Huang	02-01-12	UNIT MM	SHT 1 OF 1

1 2 3 4 5 6 7