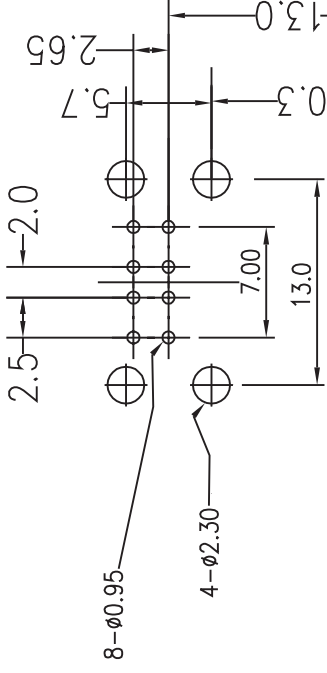
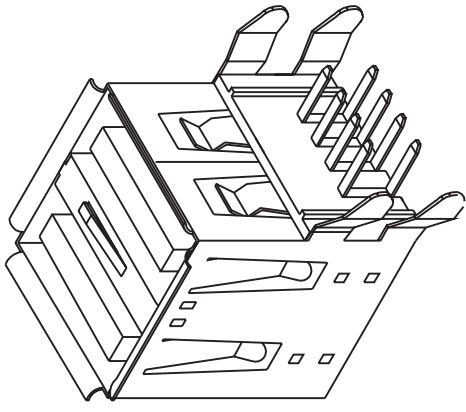


USB A TYPE, FEMALE, DOUBLE DECK (RIGHT ANGLE, THRU-HOLE)



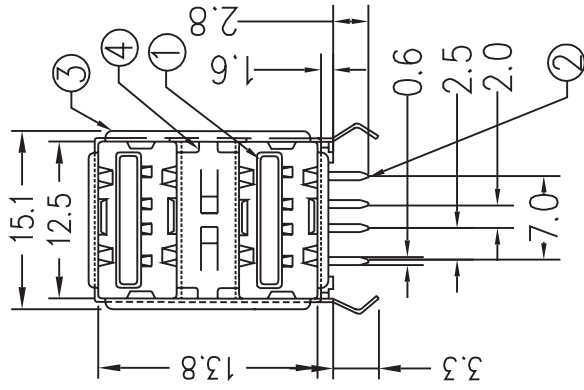
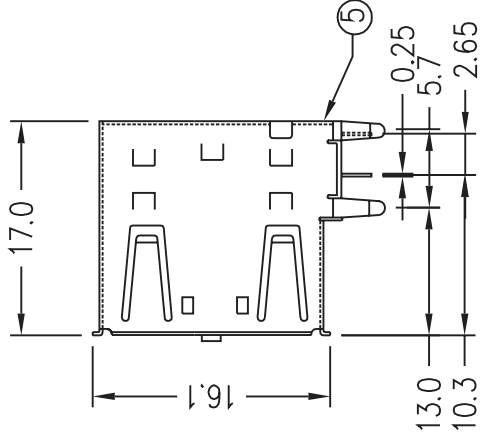
PCB EDGE

PC BOARD LAYOUT
(BOTTOM VIEW)

ORDER INFORMATION

3212-2B

BLACK
DOUBLE DECK



| NO. | NAME | MATERIAL | FINISH | REMARK | Q'TY |
|-----|-----------|--------------|-----------------|-------------------------------|------|
| 1 | HOUSING | P.B.T | WHITE | | 1 |
| 2 | PIN TERM. | PHOS. BRONZE | GOLD/TIN PLATED | Ni:1~1.5u;TIN:3u GOLD:1~3u | 8 |
| 3 | SHELL | BRASS 0.3mm | TIN PLATED | TIN:3~5u | 1 |
| 4 | SHELL | BRASS 0.3mm | TIN PLATED | TIN:3~5u | 1 |
| 5 | SHELL | SPCC 0.3mm | NICKEL PLATED | | 1 |