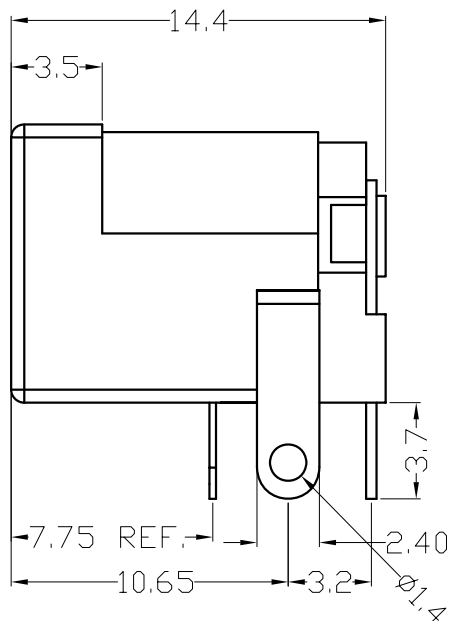
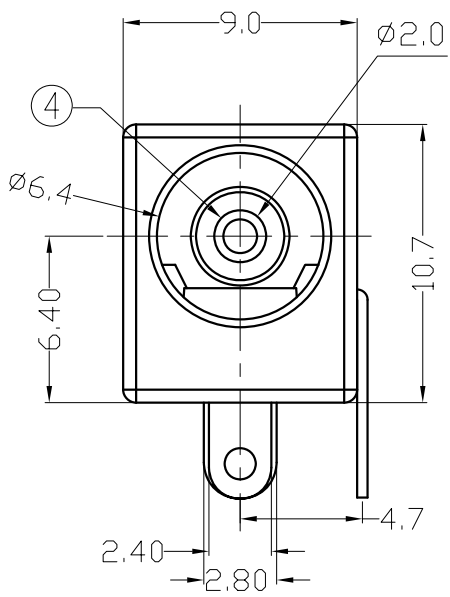
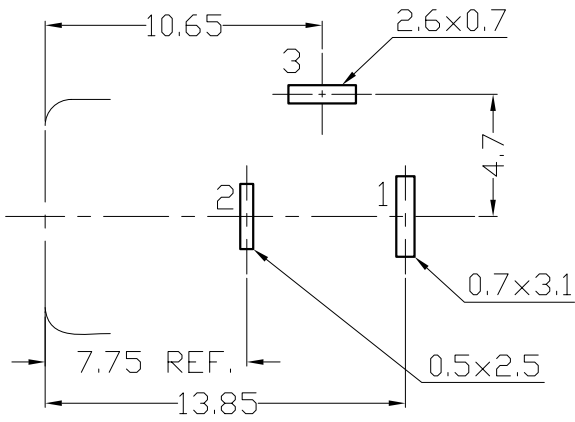
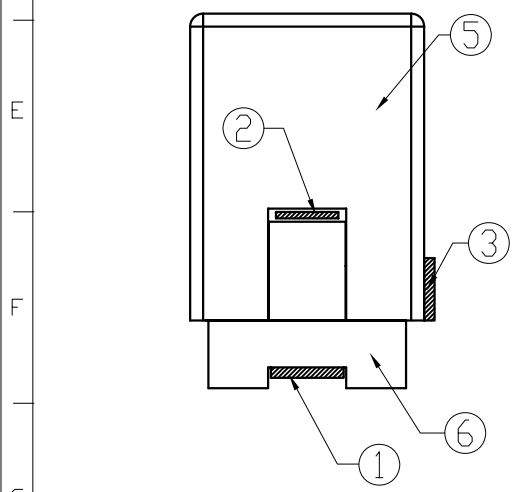


REV	ZONE	REVISION	DATE

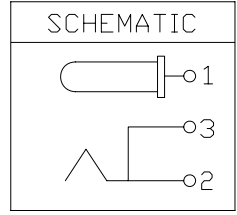


NO.	NAME	MATERIAL	FINISH	Q'TY
1	PIN TERM.	BRASS T:0.4	TIN PLATED	1
2	SLEEVE TERM.	PBS T:0.25	TIN PLATED	1
3	BREAK TERM.	BRASS T:0.4	TIN PLATED	1
4	CENTER PIN	BRASS ϕ 2.0	NICKEL PLATED	1
5	HOUSING	PBT G.F.	BLACK	1
6	BACK COVER	PBT G.F.	BLACK	1



PCB LAYOUT
(BOTTOM VIEW)

Green Product



Specification:
 Contact Resistance: 30m Ohm Max. At AC 100mA Max .1KHz
 Insulation Resistance: 100M Ohm Min. At 500V DC
 Rated Voltage And Current: DC12V. 2A Max; AC 100V. 1A Max
 Dielectric Withstanding Voltage: 500V AC for 1 Minute
 Insertion Force: 3.0Kg Maximum.
 Extraction Force: 0.3Kg Minimum.

MODEL			Drawing No			UNIT	SCALE	TITLE	
3275-3PAE			3275-002			mm	1:1	DC POWER JACK	
PAGE 1 OF 1			APPD.	CKD.	DWG.	DATE	TOLERANCE	PART NO.	REV.
			JAMES 02-05-12	SHIRLEY 02-05-12	TINA 01-06-10	01-06-10	X. \pm 0.38 .X \pm 0.25 .XX \pm 0.13 .XXX \pm 0.05	3275-3PAE	A0

DC POWER JACK SPECIFICATIONS

1	Insulation resistance	Insulation material should be 100M ohm min. Measured with a 500VDC insulation resistance meter.
2	Contact resistance	Contact resistance between two contacts(normally closed) should be 30m ohm max. At 1k Hz less than 100mA.
3	Temperature test	Part shall be subjected to a temperature range of $70^{\circ}\text{C} \pm 2^{\circ}\text{C}$ to $-25^{\circ}\text{C} \pm 2^{\circ}\text{C}$ for half an hour and then remain to a room temperature for two hours to be test again. The part shall not show remarkable failure.
4	Insertion and extraction force	Insertion force: 0.3kg ~3.0kg with a match plug. Extraction force: 0.3kg ~ 3.0kg with a match plug.
5	Life test	Part to be tested under a condition that to use a match plug coated with a thin film of grease in order to prevent from heating or wearing at a rate of 5 to 10 cycles. Per minute under no load of 4000 cycles. The part shall still comply with: A: insertion force: 0.3kg ~ 3.0kg B: extraction force: 0.3kg ~ 3.0kg.
6	Soldering heat	$245^{\circ}\text{C} \pm 5^{\circ}\text{C}$ degree for 5 ± 1 seconds.
7	Rated voltage and current	DC 12V, 2A max; AC 100V , 1A max.