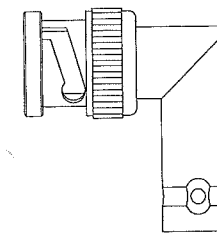
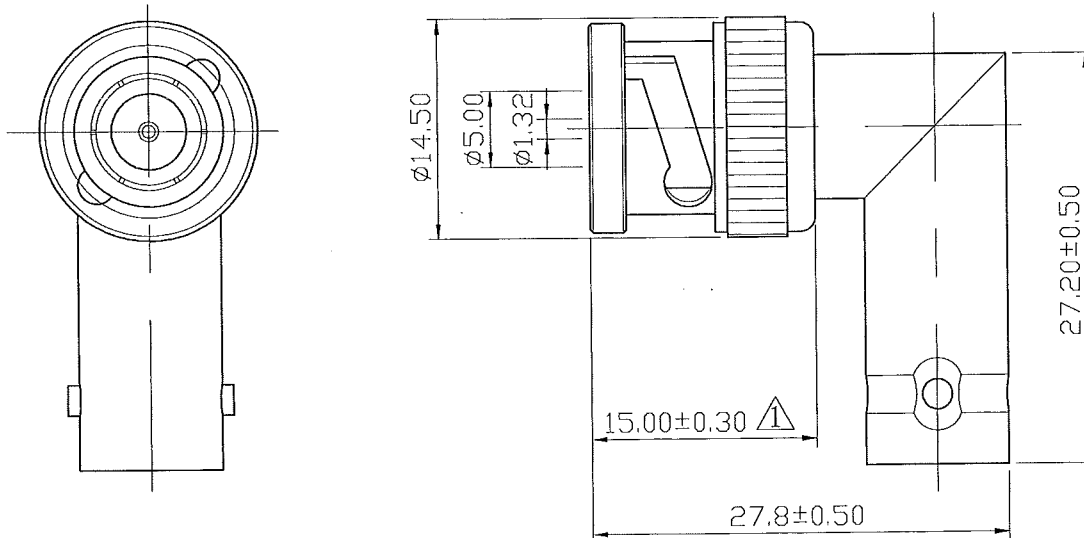


No.	DATE	DESCRIPTION	REV	REMARK : RoHS REQUIREMENT APPLIED (符合RoHS)	DATE	DRAWING NO.
△	2009. 11. 12	Original dimention 15.10±0.15	A		2008. 09. 15	BC-1046NG-DEL(50)

[JUN 28 2016

Mailed  
已傳送



S1:1



-	washer	1	brass	nickel	
-	insulator	1	POM	white	
-	contact pin	1	brass	gold	
-	insulator	1	POM	white	
-	gasket	1	rubber	red	
-	washer	1	steel	nickel	
-	spring	1	SK-5	nickel	
-	washer	1	steel	nickel	
-	spring	1	SK-5	nickel	
-	contact pin	1	brass	gold	
-	body	1	brass	nickel	
-	shell	1	brass	nickel	
NO.	Description	Unit	Materials	Finish	Drawing No.

DIMENSIONS ARE IN MILLIMETERS  
UNLESS OTHERWISE SPECIFIED  
TOLERANCES (一般公差)  
0.5-6 = ±0.2  
>6-30 = ±0.4  
>30-120 = ±0.6  
>120-315 = ±1  
>315-1000 = ±1.6  
ANGLES(角度) = ±5°

CHECKED  
工程師  
JUN 26 2014  
馬正成  
DRAWN  
Jim  
DATE  
2007. 08. 01

**Linkman®**  
TITLE  
RIGHT ANGLE BNC MALE TO BNC FEMALE  
DRAWING NO.  
ADT-1203R  
FILE NO. DRAWING\RF\ADT\ADT-1203R-BC15DA-BC25DA