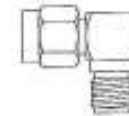
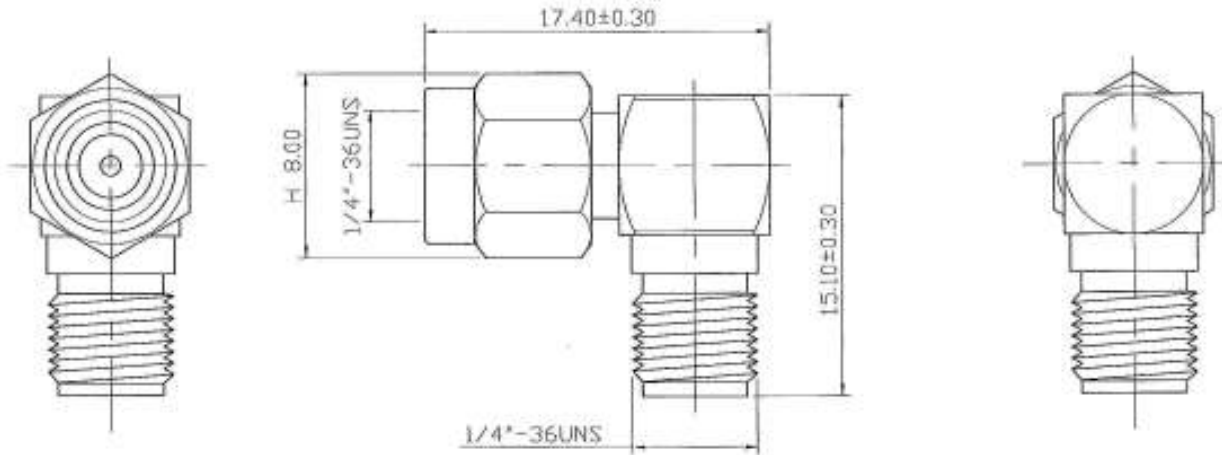



No.	DATE	DESCRIPTION	REV	REMARK : RoHS REQUIREMENT APPLIED (符合RoHS)	DATE	DRAWING NO.
					2008. 07. 04	SA-137NG-TEF(50)



S 1 : 1

-	shell	1	brass	nickel	DIMENSIONS ARE IN MILLIMETERS UNLESS OTHERWISE SPECIFIED TOLERANCES (一般公差) 0.5-6 = ±0.2 >6-30 = ±0.4 >30-120 = ±0.6 >120-315 = ±1 >315-1000 = ±1.6 ANGLES(角度) = ±5°	CHECKED	 工程師 馬正成	TITLE	
-	c ring	1	steel	nature		DRAWN		RIGHT ANGLE SMA MALE TO FEMALE	
-	body	1	brass	nickel		<i>Jim</i>	DRAWING NO.		
-	gasket	1	rubber	red		DATE	ADT-2224R		
-	insulator	2	PTFE	white		2008. 02. 22	FILE NO.		
-	contact pin	1	brass	gold			DRAWINGRFPADT\ADT-2224R-SA15TA-SA25TA		
-	body	1	brass	nickel					
NO.	Description	Unit	Materials	Finish	Drawing No.	SCALE	3 : 1	UNIT	MM