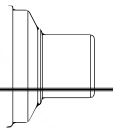
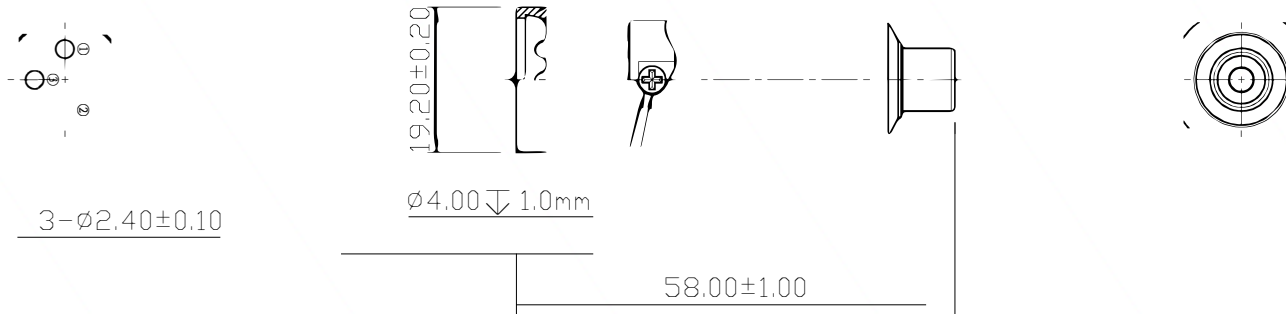


REMARK : RoHS REQUIREMENT APPLIED  
(符合RoHS)



S 1 : 1

cable	1	copper wire	black
screw	1	iron	nickel
shell	1	zinc alloy	nickel
clip	1	brass	nickel
insulator	1	POM	white
insulator	1	bakelite	brown
contact pin	1	brass	nickel
body	1	brass	nickel
solder tab	1	brass	nickel
contact pin	3	brass	nickel
body	1	PBT 30%fiber	gray

DIMENSIONS ARE IN MILLIMETERS  
UNLESS OTHERWISE SPECIFIED  
TOLERANCES  
(一般公差)  
>6~30 = ±0.4  
>30~120 = ±0.6  
>120~315 = ±1  
>315~1000 = ±1.6  
ANGLES(角度) = +5°

CHECKED  
Linkman MODEL No. [ADT-2803S]  
TITLE ADAPTOR- MICROPHONE MALE TO RCA FEMALE  
DRAWN Tina  
DRAWING NO. ADT-2803S-MI10CA-RS20BA  
DATE 2012.09.25