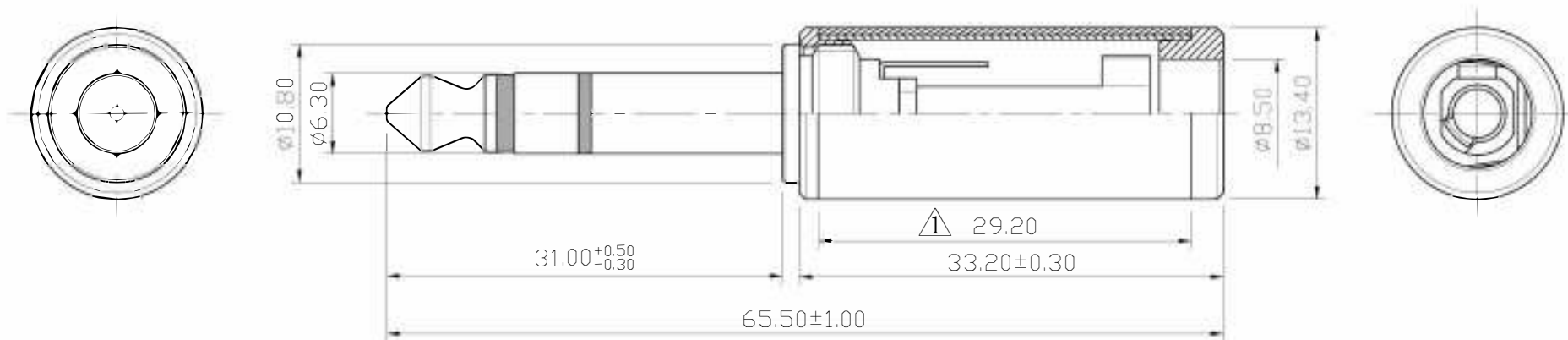
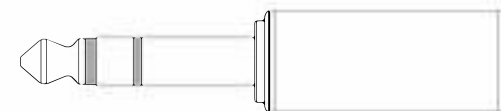


No.	DATE	DESCRIPTION	REV
△	2014. 11. 13	Drawing revised (圖面修正)	A



-	ferrule	1	brass	nature
-	sleeve	1	brass	gold
-	headlock	1	brass	gold
-	shell	1	black carbon fiber	nature
-	tube	1	brass	nature
-	contact pin	1	iron	gold
-	clip	1	brass	gold
-	solder tab	1	brass	gold
-	solder tab	1	brass	gold
-	insulator	1	POM	black
-	insulator	1	POM	black
-	insulator	1	POM	white
-	insulator	1	POM	white
-	body	1	brass	gold
-	body	1	brass	gold
-	body	1	brass	gold
-	body	1	brass	gold



S 1 : 1

NO.	Description	Unit	Materials	Finish	Drawing No.	SCALE	2 : 1	UNIT	MM	DATE	2012. 05. 25
-----	-------------	------	-----------	--------	-------------	-------	-------	------	----	------	--------------

DIMENSIONS ARE IN MILLIMETERS  
UNLESS OTHERWISE SPECIFIED  
TOLERANCES  
(一般公差)  
0.5~6 = ±0.2  
>6~30 = ±0.4  
>30~120 = ±0.6  
>120~315 = ±1  
>315~1000 = ±1.6  
ANGLES(角度) = ±5°

CHECKED  
  
DRAWN  
*Sun*  
DATE  
2012. 05. 25

Linkman MODEL No.  
【AP6.3-4042BKFGG-Stereo-8.5】  
TITLE  
**AUDIO PLUG**  
DRAWING NO.  
**AP6.3-4042BKFGG-Stereo-8.5**  
FILE NO. DRAWINGAUDIO\AP6.3-4042BKFGG-Stereo-8.5