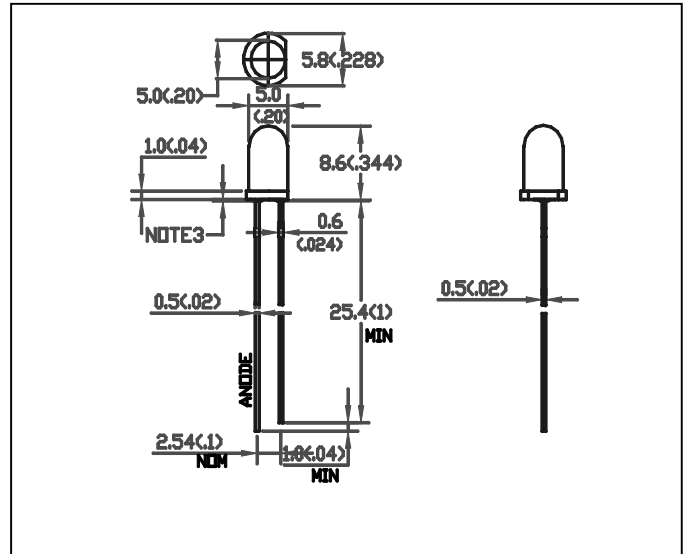


## Characters

- § High intensity.
- § Viewing angle 15°.
- § Reliable and Rugged
- § Standard 5mm diameter package.

## Outline Dimensions

ITEM	MATERIALS
Resin(Mold)	Epoxy
Lens Color	Water Transparent
Lead Frame	Ag Plating Iron Alloy
Dice	InGaN



## Absolute Maximum Ratings ( Ta=25°C )

Item	Symbol	Value	Unit
		Blue	
Power Dissipation	PD	80	mW
DC Forward Current	IF	20	mA
Pulsed Forward Current	IFP	100 *	mA
Reverse Voltage	VR	5 ▲	V
Operating Temperature	Topr	-25 ~ +80	°C
Storage Temperature	Tstg	-40 ~ +100	°C
Soldering Temperature△	Tsol	260	°C

\* Duty 1/10 Pulse Width 0.1ms ▲ This Rating is Zener Diode  
 △ At the position of 4mm from the bottom of the package within 5 seconds.

## Electrical-Optical Characteristics ( Ta=25°C )

Part No.	Luminous Intensity ( mcd ) ☆			Forward Voltage ( V )			Forward Voltage ( V )			Reverse Current ( μA )	Wavelength Characteristics ( nm )			
	Typ.	Min.	IF ( mA )	Typ.	Max.	IF ( mA )	Min.	IF ( μA )	Max.	VR ( V )	λ D Typ.	λ D Max.	Δ λ Typ.	IF ( mA )
BL503B2CA-1A/01	3500	2692	20	3.6	4.5	20	2.0	100	50	5	468	480◆	25	20

☆ Axial Direction (luminous Intensity) ◆Products are sorted by wavelength, which cannot be specified by customer..

## Notes:

- § All dimensions are in millimeters ( inches ) .
- § Tolerance is ±0.25 ( .010 ) mm unless otherwise noted.
- § Protruded resin under flange is 1.0 mm ( .04 ) max.

## Directive Characteristics ( Ta=25°C )

