

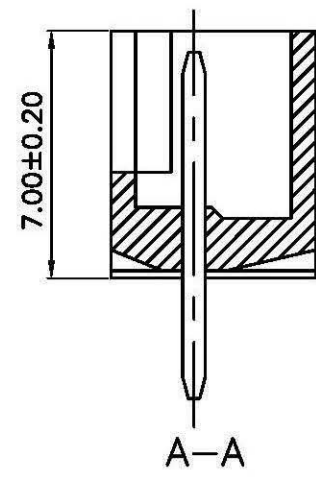
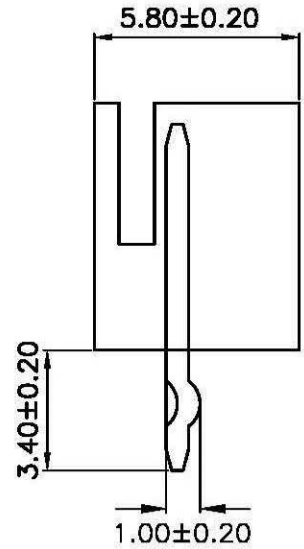
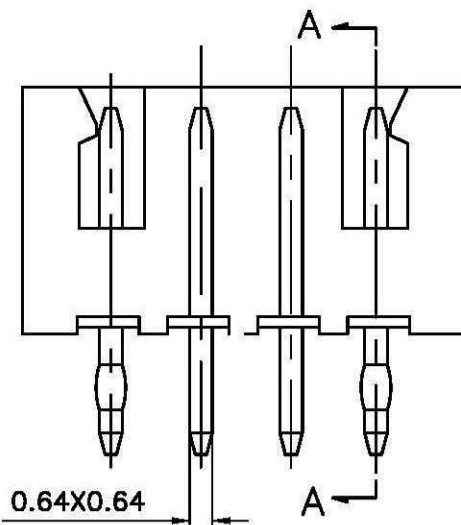
PCB LAYOUT

SPECIFICATIONS

Voltage Rating: 250V AC/DC  
 Current Rating: 3A AC/DC  
 Withstanding Voltage: 1000V AC/minute  
 Insulation Resistance: 1000MΩ min.  
 Temperature Range: -25° C - +85° C  
 Contact Resistance: 20mΩ max

WAFER

Poles: 2-16  
 Material: Nylon 66, UL94V-2  
 Pin: Brass, Tin plated



NO	DIMENSION	
	A	B
02	2.50	7.50
03	5.00	10.00
04	7.50	12.50
05	10.00	15.00
06	12.50	17.50
07	15.00	20.00
08	17.50	22.50
09	20.00	25.00
10	22.50	27.50
11	25.00	30.00
12	27.50	32.50
13	30.00	35.00
14	32.50	37.50
15	35.00	40.00
16	37.50	42.50

REV	DATE	MODIFICATION DESCRIPTION	CHANGE	APPROVE	OPERATION	DRAW	SCALE	PART NO.	DRAWING NO.
					~ 10 ±0.15	DESIGN	UNIT mm		
0		NEW			20 ~ 30 ±0.30	CHECK <td>SIZE A4 <td></td> <td></td> </td>	SIZE A4 <td></td> <td></td>		
					30 ~ ±0.50	APPROVE	SHEET 1/1		
					Angle ± 2'		PROJ. ↕		
					DM TOL				



BSG-LXH-SXX