

NOTES

1. MATERIALS:

HOUSING-PBT 30%GF UL94V-0.

CONTACT-PHOSPHOR BRONZE, C5191R-H T=0.6mm

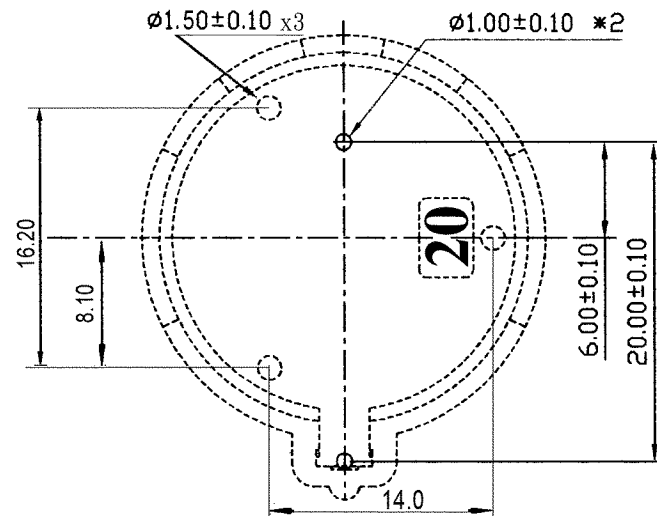
2. FLASH: 0.25mm MAX.

3. CAMBER: 0.13mm MAX. DEFOMATION: NA.

WARP: 0.13mm MAX TWIST: NA.

4. COLOR: BLACK

5. PLATING: TIN 100u" MIN OVER Ni 80u" MIN.



RECOMMEND PCB LAYOUT  
COMPONENT SIDE