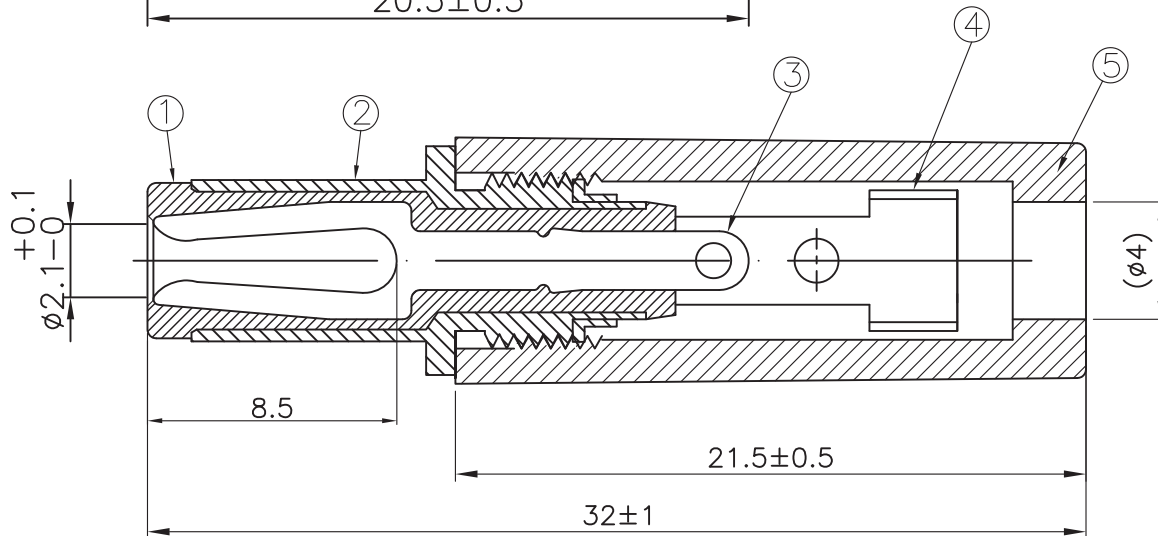
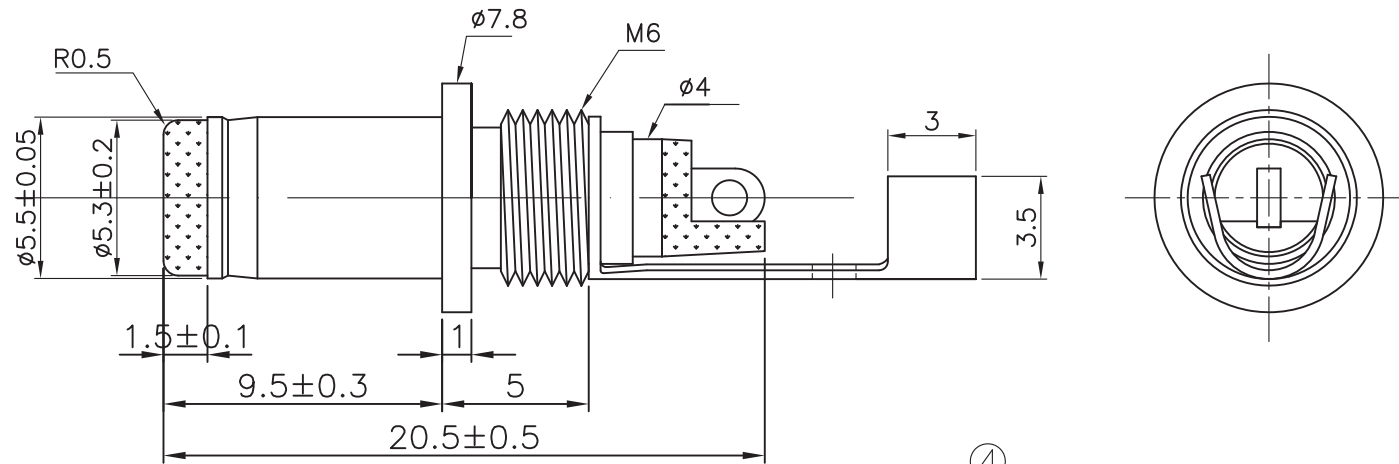


A  
B  
C  
D  
E  
F  
G

1 2 3 4 5 6 7 8 9

一般公差	
尺寸區分	公差
0>1.0	±0.1
1.0>6.0	±0.2
6.0>12.0	±0.3
12.0>25.0	±0.4
25.0>	±0.5



1. Dielectric strength: AC 500V at 1minute.
2. Insulation resistance: DC 500V/100MΩ min.
3. Rated voltage: 24V DC.
4. Rated current: 5A.

7		△									
6		△									DESCRIPTION :
5	ABS BLACK	△									<b>DC PLUG ø5.5*ø2.1*9.5L</b>
4	BRASS NICKEL	MARK	REVISION				DATE	SIGN	APPO	P/N :	<b>DS-1140R2-21</b>
3	P-BRONZE NICKEL	APPROVED BY	CHECKED BY	DESIGNED BY	DRAWN BY	UNIT	mm [in]		DRAWN NO:		
2	BRASS NICKEL	承	檢	設	制	SCALE	4 : 1			REV	
1	PBT BLACK	認	圖	計	圖	DATE	07/01/2011			<b>A</b>	
NO	CONTENT										