

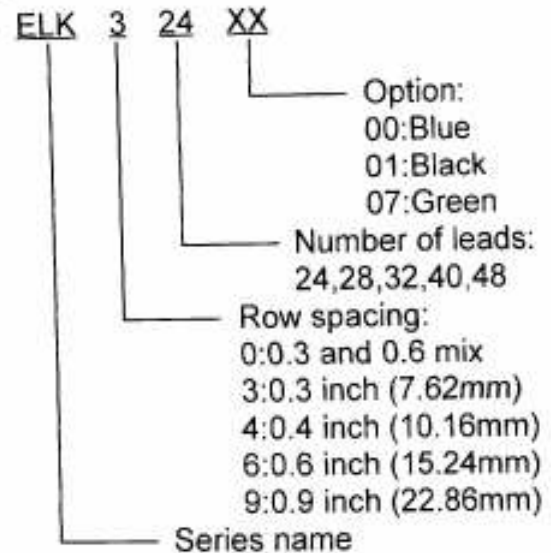
# ZERO INSERTION PRESSURE SOCKET ELK SERIES

## FEATURES

- Compact mechanical construction to ensure long term life.
- Zero insertion and extraction pressure
- Standard 0.100" (2.54mm) IC pitch, easy to mount in PC board.
- All plastic are UL 94V-0 grade fire retardant.
- Gold plated contact to ensure low contact resistance and long operation life.



## PART NUMBERING SYSTEM



## SPECIFICATIONS

### 1.ELECTRICAL

1-1.Contact resistance	
initial	10mΩ Max.
after life test	20mΩ Max.
1-2.Contact rating	50VDC, 100mA
1-3.insulation resistance	100MΩ Min.
1-4.Dielectric strength	500VDC Min. for 60 seconds
1-5.Capacitance between adjacent contacts	5pF Max.

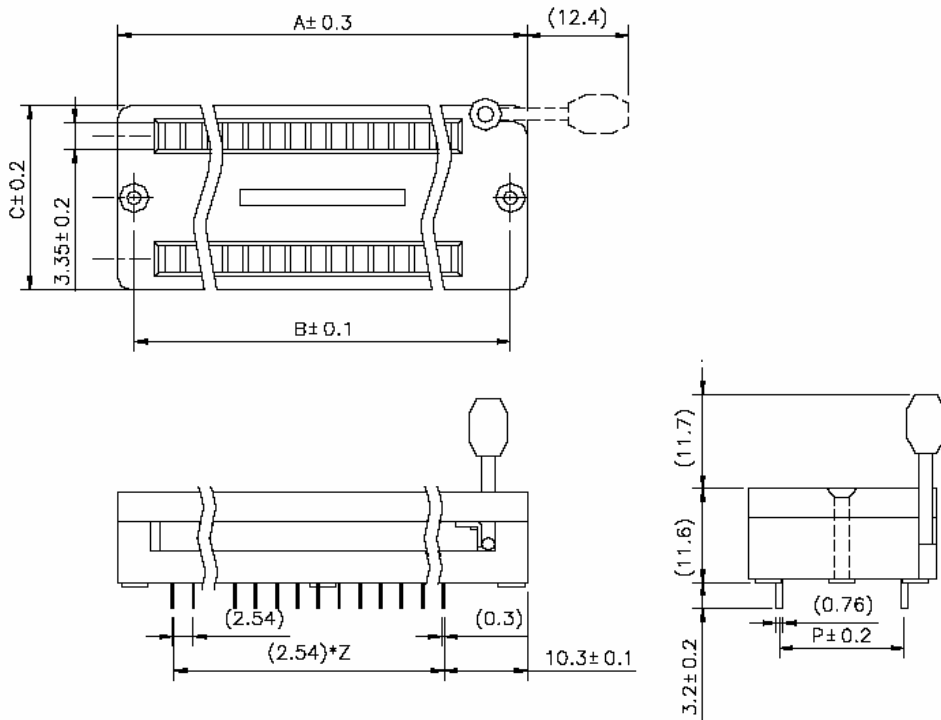
### 2.MECHANICAL AND ENVIRONMENTAL

2-1.Temperature rating	
operating	-25°C to + 70°C
storage	-40°C to + 85°C
2-2.Operation life	50,000 cycles (without load); 25,000 cycles (with load)
2-3.Humidity	95% RH, 40°C for 96 Hrs.
2-4.Vibration	Per MIL-STD-202F, method 201A
2-5.Solderability	after flux 230± 5°C for 5± 0.5 seconds, 95% coverage
2-6.Soldering heat	260± 5°C for 5± 1 seconds

■ DIMENSIONS (UNIT: mm) --- FOR ROW SPACING 3,4,6,9 TYPE

FOR ROW SPACING 3,4,6,9 TYPE

UNIT:mm

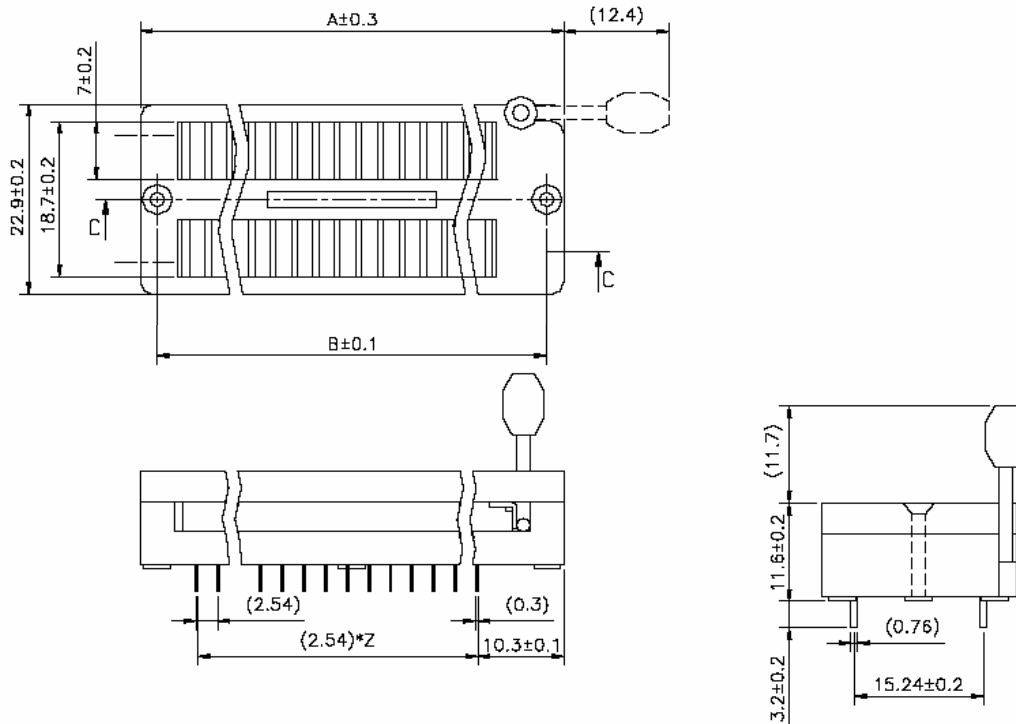


LEADS	PART NUMBER	A	B	C	Z	P
24	ELK324	45.3	40.9	14.9	11	7.62
24	ELK624	45.3	40.9	22.9	11	15.24
28	ELK628	50.4	46.0	22.9	13	15.24
32	ELK632	55.5	51.1	22.9	15	15.24
40	ELK640	65.6	61.2	22.9	19	15.24

■ DIMENSIONS (UNIT: mm) --- FOR ROW SPACING 0 TYPE

FOR ROW SPACING 0 TYPE

UNIT:mm



LEADS	PART NUMBER	A	B	Z
24	ELK024	45.3	40.9	11
28	ELK028	50.4	46.0	13
32	ELK032	55.5	51.1	15
40	ELK040	65.6	61.2	19
48	ELK048	75.8	71.4	23