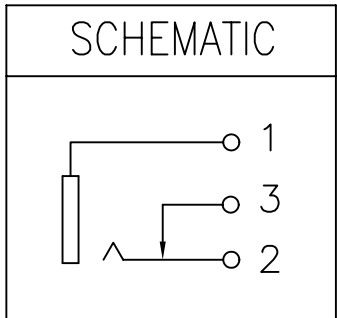
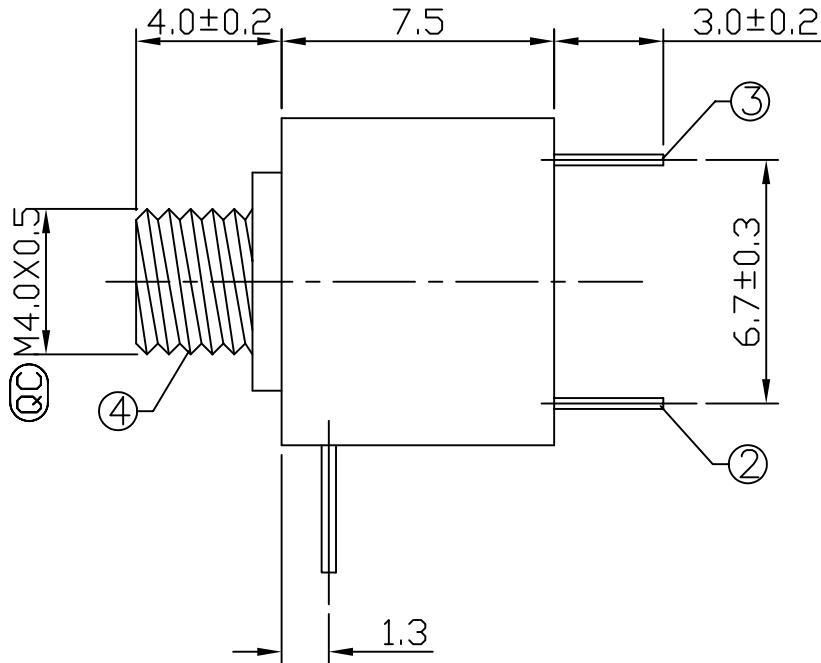
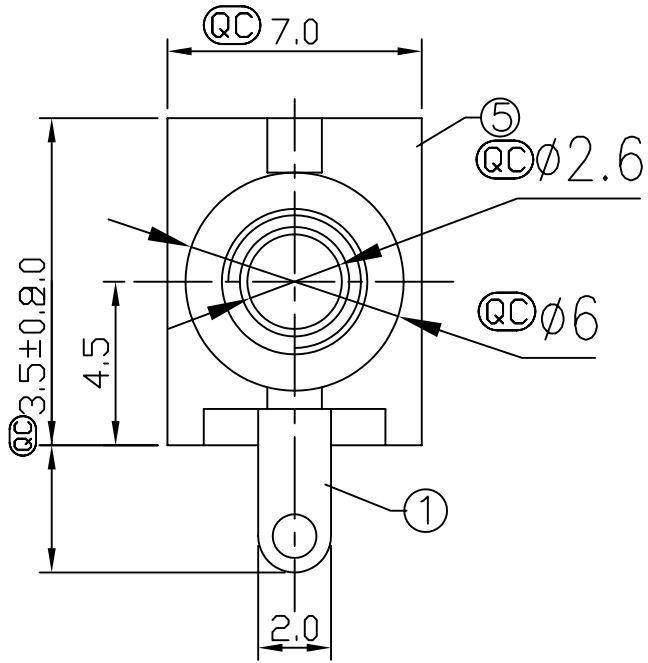


1 2 3 4 5 6 7 8

ECN NO.	REV	MODIFICATION	DATE	DRAW	APPROVE
	A1	NEW ISSUES	2009.07.02	JULY	ALAN



LEAD FREE

5	HOUSING	1	ABS	
4	AXIS SUPPORT	1	C2680	MB:Cu Ni PLATED
3	CURVE PIECE	1	C2680	MB:Cu Ag PLATED
2	SPRING PIECE	1	C5191	MB:Cu Ag PLATED
1	FIAT PIECE	1	C2680	MB:Cu Ag PLATED
NO.	DESCRIPTION	QTY	MATERIAL	REMARK

QC:Inspection Item	DIMENSION IN mm [Inch]			
	TOLERANCE UNLESS OTHERWISE SPECIFIED		DWG NO. HLA-2501D11	FILE NO. HLA-2501D11
	X ±0.5	X *± 3°	TITLE MINIATURE JACK CUSTOMER COPY	
	XX ±0.3	XX *± 2°		
XXX ±0.25		DRAW JULY	PROJ. SCALE 1:1	SHEET 1 / 1 REV A1
APPROVE JACK	CHECK ALAN			

1 2 3 4 5 6 7 8