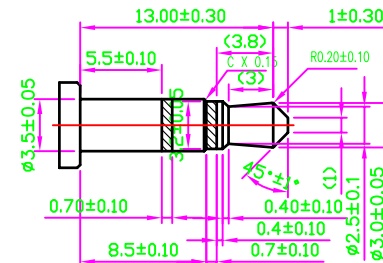
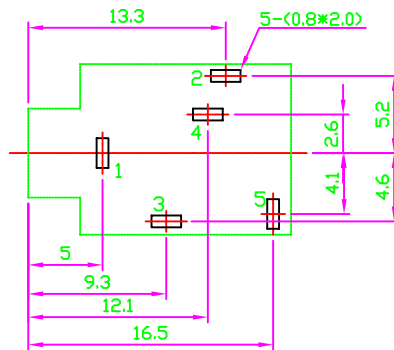
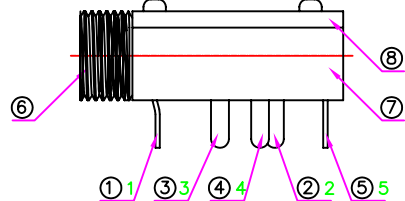
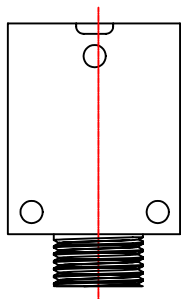
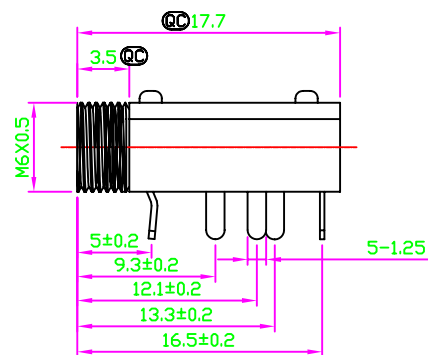
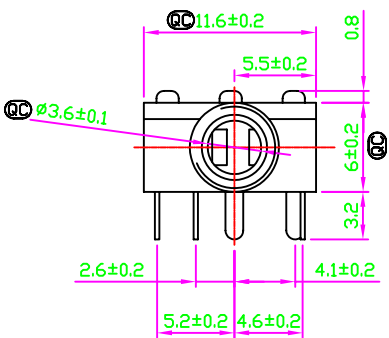


ECN NO.	REV	MODIFICATION	DATE	DRAW	APPROVE
	A1	NEW ISSUES	2009.07.02	JULY	ALAN



PCB LAYOUT TOP VIEW

PLUG SPEC



SCHEMATIC				
HLA-3531D2A-001H	HLA-3531D2B-001H	HLA-3531D2C-001H	HLA-3531D2D-001H	HLA-3531D2I-001H

LEAD FREE

8	COVER	1	PC (Lucency)	
7	HOUSING	1	PBT (Black)	
6	FIX TURN	1	BRASS	CuSn-Plated
5	TERMINAL	1	BRASS t=0.30	Ag-Plated
4	TERMINAL	1	BRASS t=0.30	Ag-Plated
3	TERMINAL	1	PHOSPHOR BRONZE t=0.30	Ag-Plated
2	TERMINAL	1	PHOSPHOR BRONZE t=0.30	Ag-Plated
1	TERMINAL	1	BRASS t=0.45	Ag-Plated
NO.	DESCRIPTION	QTY	MATERIAL	REMARK
QC Inspection Item	DIMENSION IN mm [Inch]			
	TOLERANCE UNLESS OTHERWISE SPECIFIED		DWG NO.	FILE NO.
	X ±±0.5	X ±± 3°	HLA-3531D2A (XL)	HLA-3531D2A
	XX ±±0.3	XX ±± 2°	TITLE	CUSTOMER COPY
XXX ±±0.25		EARPHONE JACK		
APPROVE	CHECK	DRAW	PROJ.	SHEET 1 / 1
JACK	ALAN	JULY	SCALE 1:1	REV A1

