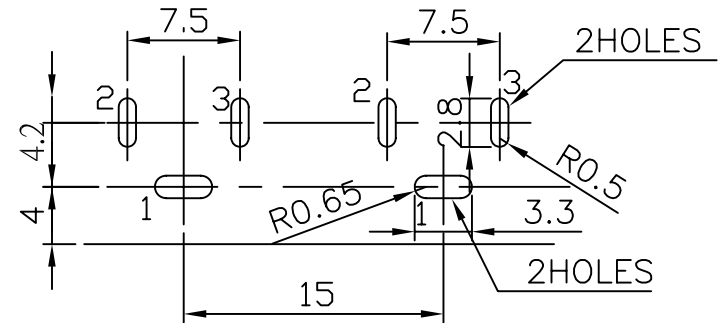
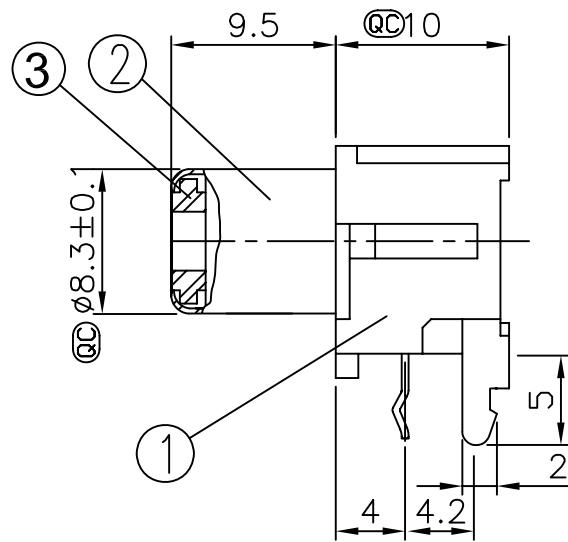
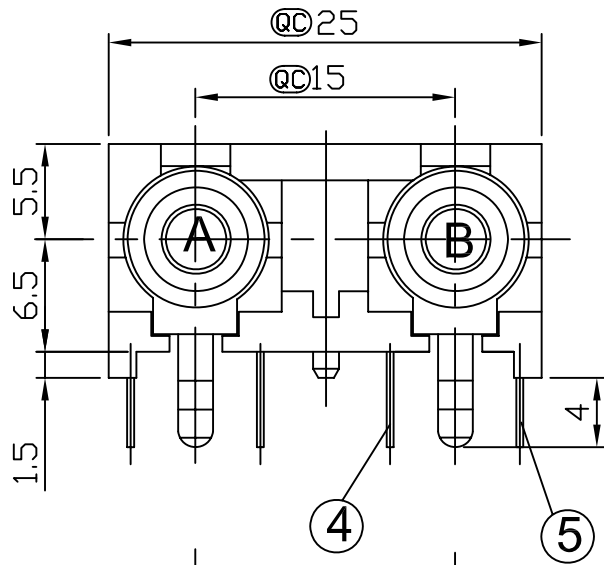
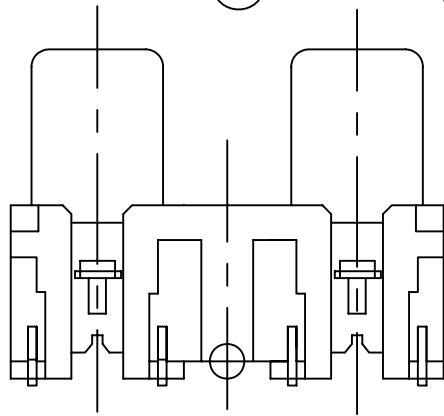


ECN NO.	REV	MODIFICATION	DATE	DRAW	APPROVE
	A1	NEW ISSUES	2009.07.02	JULY	ALAN



T:1.6 Dimensions of PC board holes
Tolerance : ±0.1(Printed-top view)



SCHMATIC	HLR-3223VXA	
	A	B
	WHITE	RED
	COLOR	

LEAD FREE

NO.	DESCRIPTION	QTY	MATERIAL	REMARK
5	TIP SPRING	2	C2680 t=0.4	MB:Cu Sn PLATED
4	RING SPRING	2	C5191 t=0.4	MB:Cu Sn PLATED
3	WASHER	2	PBT 4815	UL-94V0
2	OUTER CONTACT	2	C2680 t=0.4	MB:Cu Cu/Sn PLATED
1	HOUSING	1	PBT 4815	UL-94V0(BLACK)

Inspection Item	DIMENSION IN mm [Inch]					
	TOLERANCE UNLESS OTHERWISE SPECIFIED		DWG NO. HLR-3223VXA	FILE NO.	HLR-3223VXA-001H	
	X ±0.5	X.X *± 3°	TITLE PIN JACK			
	XX ±0.3	XX.X *± 2°	CUSTOMER COPY			
XXX ±0.25		APPROVE JACK	CHECK ALAN	DRAW JULY	PROJ. SCALE 1:1	SHEET 1 / 1 REV A1