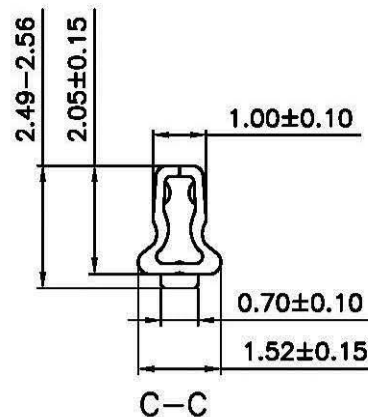
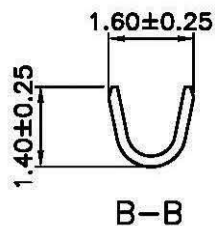
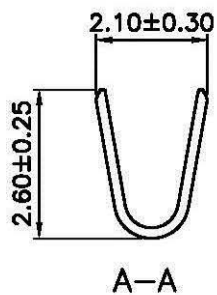



SPECIFICATIONS

Voltage Rating: 100V AC/DC
 Current Rating: 2A AC/DC
 Withstanding Voltage: 800V AC/minute
 Insulation Resistance: 1,000MΩ min.
 Temperature Range: -25° C - +85° C
 Contact Resistance: 20mΩ max

TERMINAL

Wire Range: AWG#22-#28 (OD1.5mm)
 Material: Phos. Bronze
 Finish: Tin Plated
 Thickness: 0.2mm
 Q'TY: 10,000PCS/Reel



						OPERATION	DRAW			SCALE			
						~ 10 ±0.15	DESIGN			UNIT	mm		
						20 ~ 30 ±0.30	CHECK			SIZE	A4		
						30 ~ ±0.50	APPROVE			SHEET	1/1		PART NO.
REV	DATE	MODIFICATION DESCRIPTION		CHANGE	APPROVE	Angle ± 2°				PROJ.	◆ ←	DRAWING NO.	
						DM TOL							