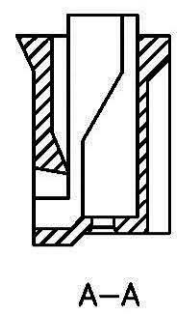
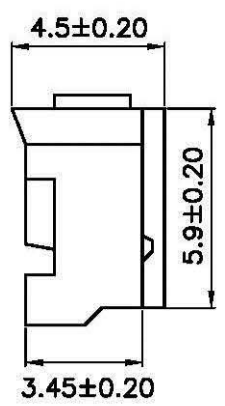
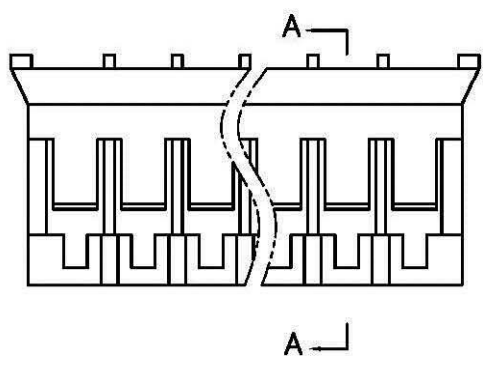
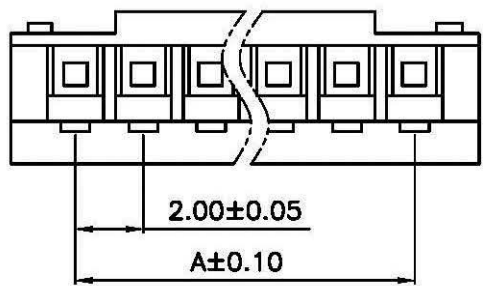
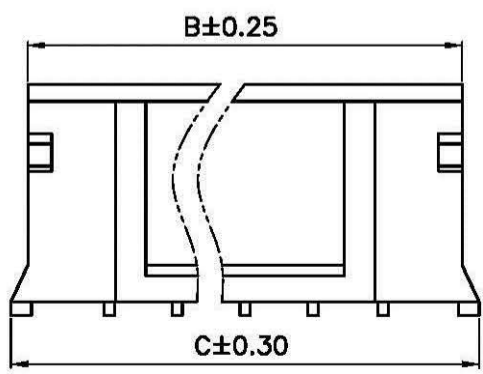


1 2 3 4 5 6 7 8 9 10

A
B
C
D
E
F
G

A
B
C
D
E
F
G



SPECIFICATIONS

Voltage Rating: 100V AC/DC
 Current Rating: 2A AC/DC
 Withstanding Voltage: 800V AC/minute
 Insulation Resistance: 1,000MΩ min.
 Temperature Range: -25° C - +85° C
 Contact Resistance: 20mΩ max

HOUSING

Poles: 2-16
 Material: Nylon 66, UL94V-2

| NO | DIMENSION | | |
|-----|-----------|-------|-------|
| | A | B | C |
| .02 | 2.00 | 4.60 | 5.80 |
| .03 | 4.00 | 6.60 | 7.80 |
| .04 | 6.00 | 8.60 | 9.80 |
| .05 | 8.00 | 10.60 | 11.80 |
| .06 | 10.00 | 12.60 | 13.80 |
| .07 | 12.00 | 14.60 | 15.80 |
| .08 | 14.00 | 16.60 | 17.80 |
| .09 | 16.00 | 18.60 | 19.80 |
| .10 | 18.00 | 20.60 | 21.80 |
| .11 | 20.00 | 22.60 | 23.80 |
| .12 | 22.00 | 24.60 | 25.80 |
| .13 | 24.00 | 26.60 | 27.80 |
| .14 | 26.00 | 28.60 | 29.80 |
| .15 | 28.00 | 30.60 | 31.80 |
| .16 | 30.00 | 32.60 | 33.80 |

| REV | DATE | MODIFICATION DESCRIPTION | CHANGE | APPROVE | OPERATION | DRAW | SCALE |
|-----|------|--------------------------|--------|---------|---------------|---------|-------------|
| 0 | | NEW | | | ~ 10 ±0.15 | DESIGN | UNIT mm |
| | | | | | 20 ~ 30 ±0.30 | CHECK | SIZE A4 |
| | | | | | 30 ~ ±0.50 | APPROVE | SHEET 1/1 |
| | | | | | Angle ± 2° | | PROJ. |
| | | | | | DIM TOL | | DRAWING NO. |



PART NO. LPH-SXX
 DRAWING NO.

1 2 3 4 5 6 7 8 9 10

H

H