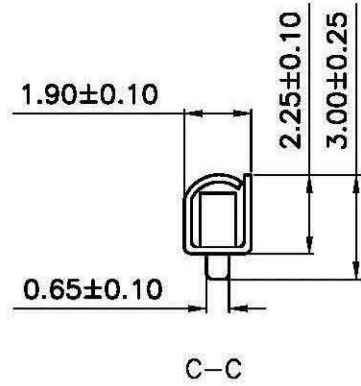
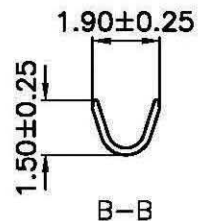
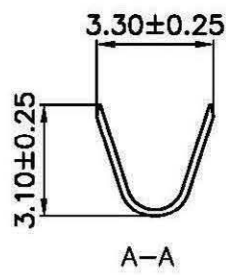



SPECIFICATIONS

Voltage Rating: 250V AC/DC
 Current Rating: 3A AC/DC
 Withstanding Voltage: 1000V AC/minute
 Insulation Resistance: 1000MΩ min.
 Temperature Range: -25° C - +85° C
 Contact Resistance: 20mΩ max

TERMINAL

Wire Range: AWG#22-#28 (OD1.9mm)
 Material: Phos. Bronze
 Finish: Tin Plated
 Thickness: 0.2mm



						OPERATION	DRAW			SCALE	
						~ 10 ±0.15	DESIGN			UNIT mm	
						20 ~ 30 ±0.30	CHECK			SIZE A4	
0		NEW				30 ~ ±0.50	APPROVE			SHEET 1/1	
REV	DATE	MODIFICATION DESCRIPTION	CHANGE	APPROVE		Angle ± 2°	APPROVE			PROJ. ↕	DRAWING NO.