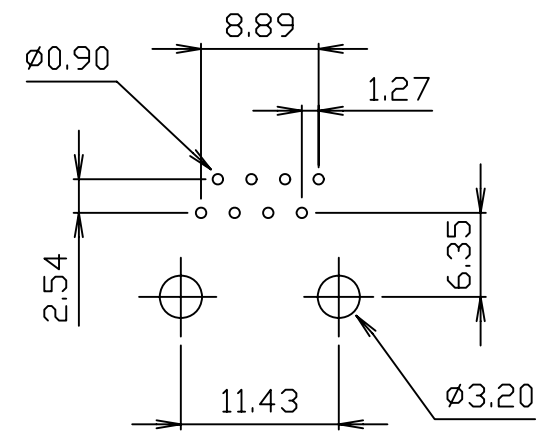
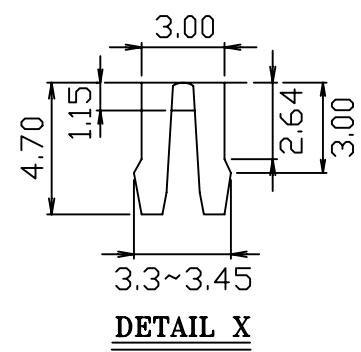
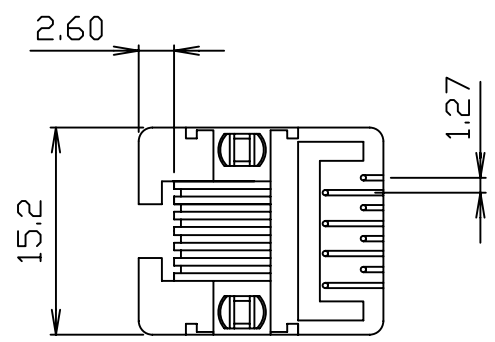
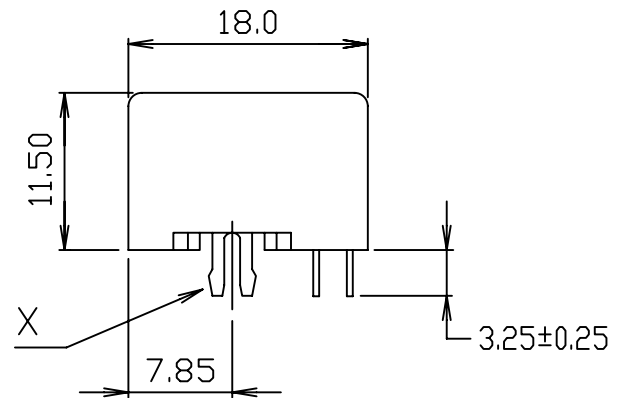
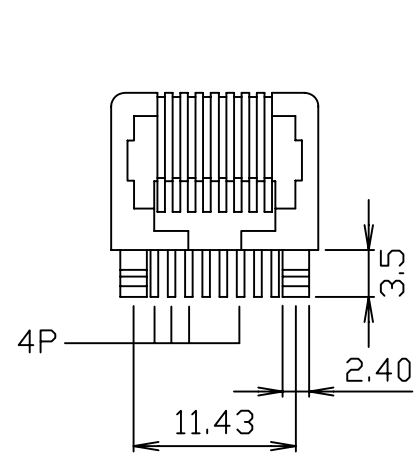



MATERIAL: HOUSING-PBT POLYESTER UL94V-0
 MIXED GLASS FIBER.
 STANDARD COLOR-BLACK
 CONTACTS-0.45mm DIAMETER PHOS-BRONZE
 PLATED WITH HARD GOLD.
 CAVITY CONFIRMS TO FCC RULES AND REGULATIONS
 PART 68,SUBPART F.

MJ11-KX06-0808-LF
 LEADFREE
 06:06u" GOLD

RoHS Compliant



PC Board Layout

PART NO. MJ11-KX06-0808-LF		APPROVED BY CY		TOLERANCES ARE		DESCRIPTION: 8POSITION SIDE ENTRY VERY LOW PROFILE, PCB JACK							
DWG NO. MJ11-KX06-0808		DRAWING BY		.X ± 0.25 .XX ± 0.13 .XXX ± 0.05 AWG		AREA		REVISIONS		HK		DATE	
FILE NO.		PROJECTION 											
UNIT / mm	SCALE 1:1												