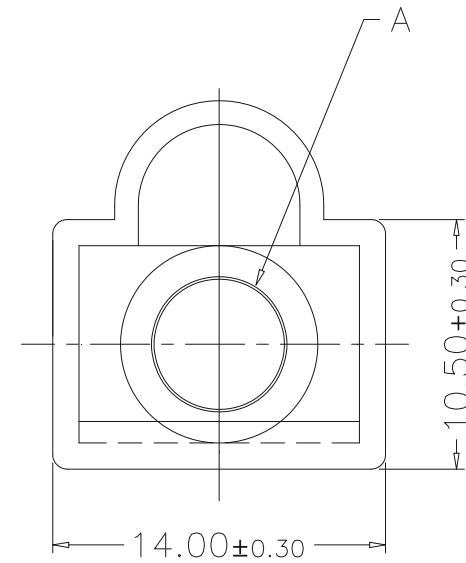
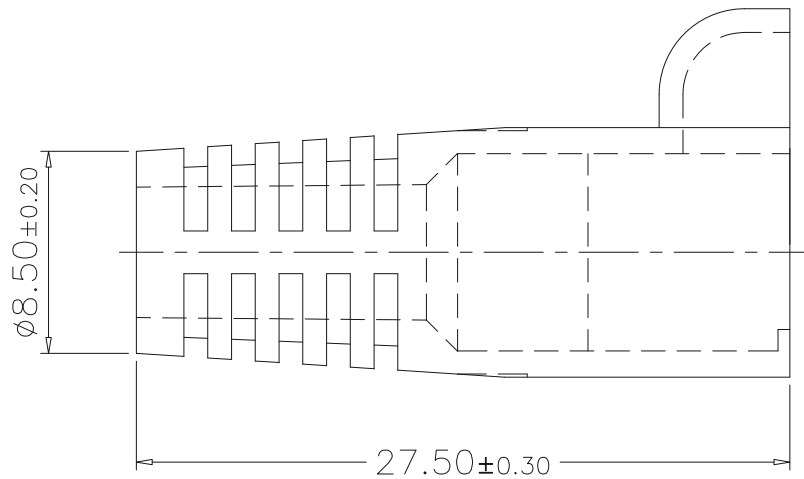


A Dim m/m
5.5±0.10
6.0±0.10
6.5±0.10
7.0±0.10

材質 **Material:**

1. 塑膠材質 **Material: PVC**



RoHS Compliant

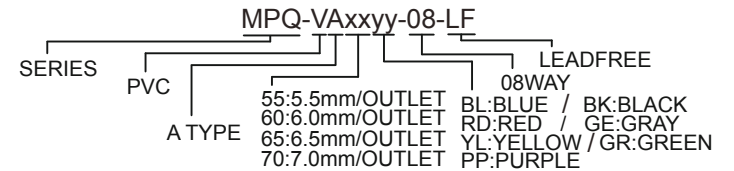
TOLERANCES ARE

DRAWING BY CY	
CHECKED BY GENIUS	
UNIT / mm	SCALE 1 : 1
DATE	
SIZE A4	P PROJECTION

X, ±
.X ±
.XX ±
.XXX ±
ANG ±



ORDER INFORMATION



DESCRIPTION: