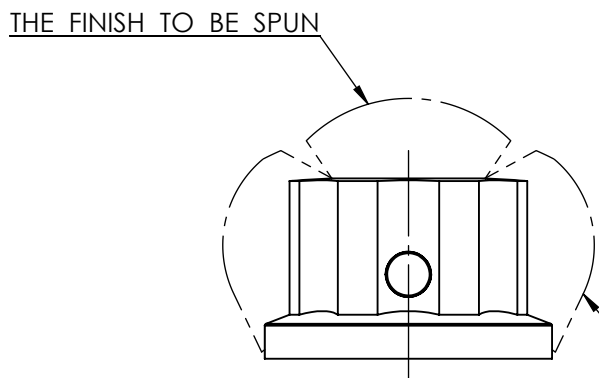
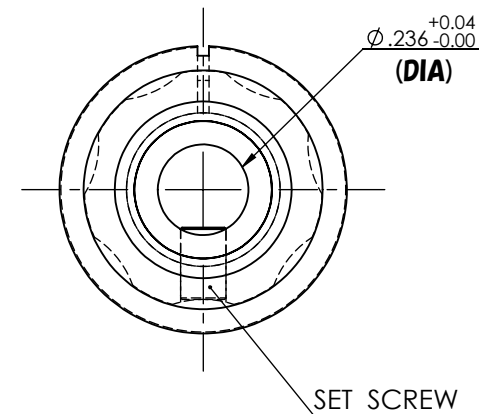
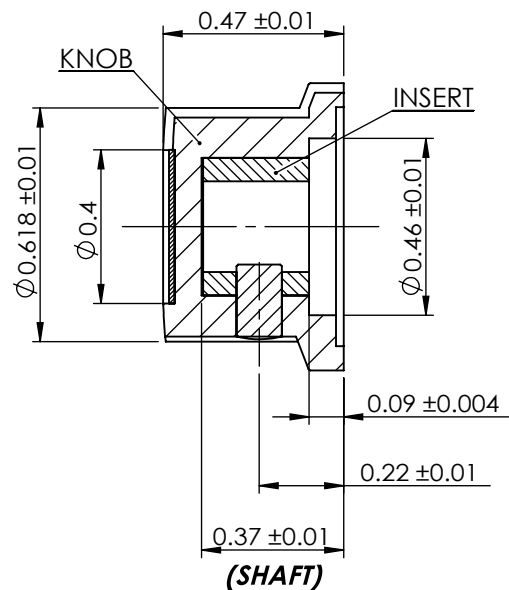
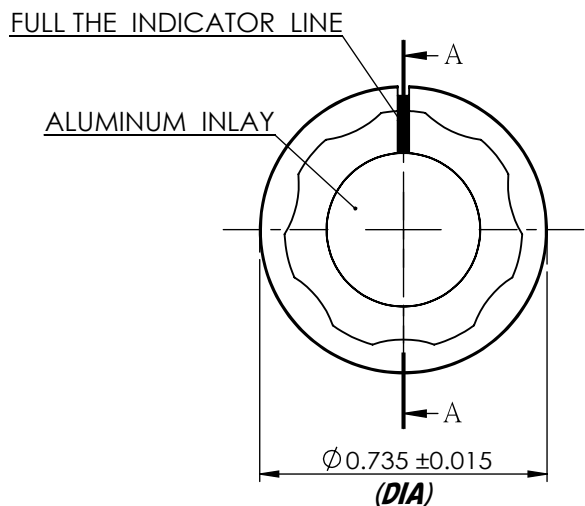
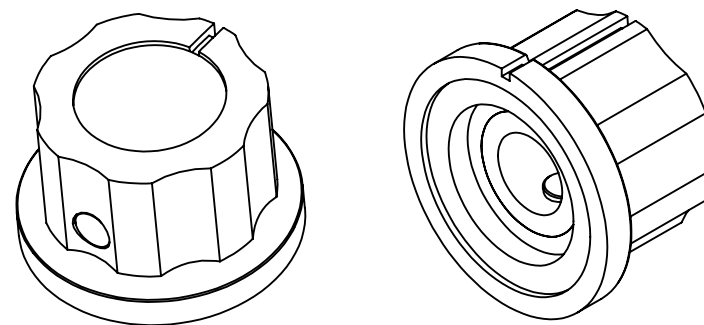


MAT'L	COLOR	INSERT	ALUM INLAY	ALUM COLOR	INDICATOR COLOR	SCREW	NOTE
PHENOLIC	BLACK	N-0947-6MM (1204-00078)	I-PKES-60B (1203-00817)	NATURAL	WHITE	C--6187 (1202-00025)	



THE FINISH TO BE HIGH GLOSS
(SPE/SPI#2)



REV.	DATE	DESCRIPTION OF REVISION	APPR. BY
A	08/26-22	NEW VERSION	

DRN.	DATE	TOLERANCES UNLESS OTHERWISE SPECIFIED	Linkman®		SCALE	UNIT	PROJ.
ELVIS	2022/8/26	X .0030 X .0010 XX .0005 ANGLES ±1°	TITLE	KNOB		inch	
CHKD.	DATE	REMOVE ALL SHARP EDGE & BURS					PART NO. QU009-1B-060
APPD.	DATE		CAD	SOLIDWORKS	SIZE	A3	SHEET 1 OF 1 REV A