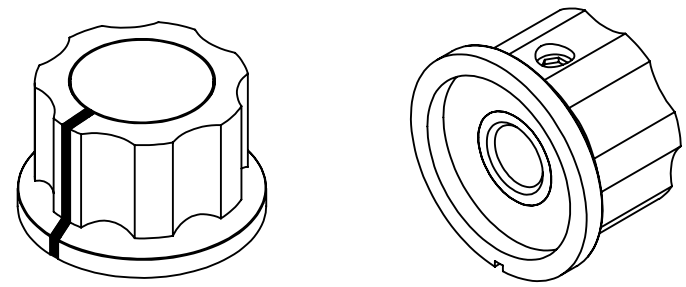
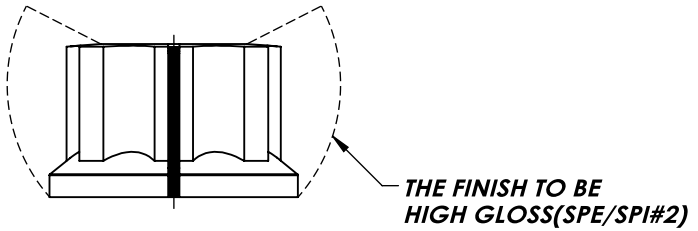
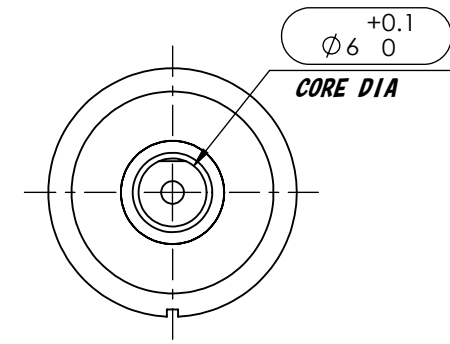
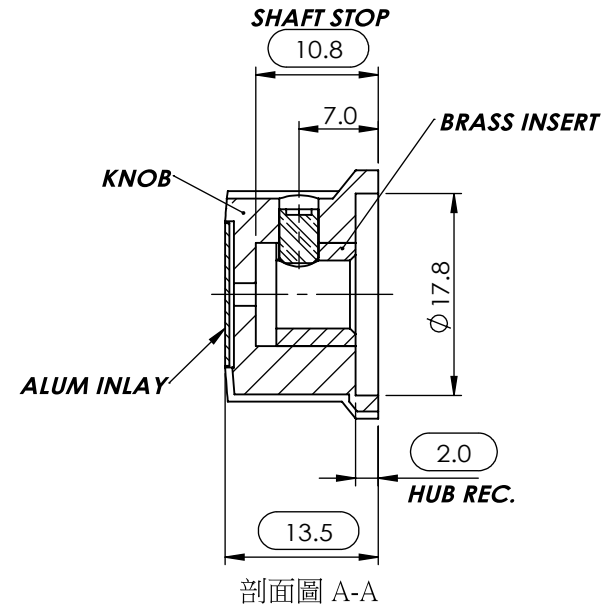
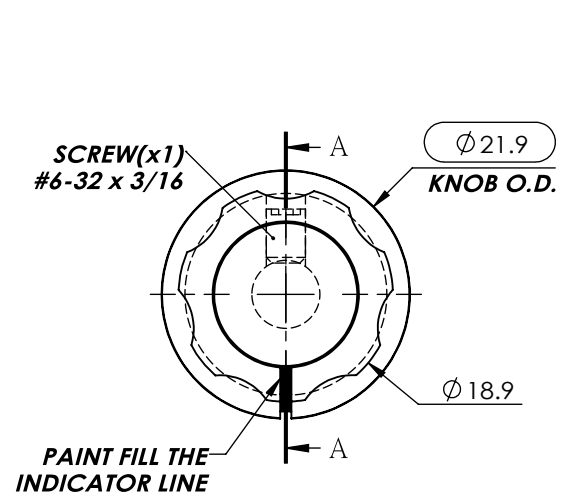


A B C D E F G H I J

MAT'L	COLOR	BRASS INSERT	ALUM INLAY	SCREW	INDICATOR COLOR	NOTE
PHENOLIC	BLACK	N-0947-6MM (1204-00078)	I-PKES-70B (1203-00156)	C--6187 (1202-00025)	WHITE	



REV.	DATE	DESCRIPTION OF REVISION	CHKD.
A	02/02-23	ADD NEW VERSIONS	Kenelm 02/03

DRN: ELVIS	DATE: 2023/2/2	TOLERANCES UNLESS OTHERWISE SPECIFIED X. ±0.5 .X ±0.25 .XX ±0.15 ANGLES ±1°	Linkman		SCALE	UNIT	PROJ.
CHKD: Kenelm	DATE: 2023/2/3		TITLE	KNOB	mm	mm	①
APPD.	DATE		CAD	SOLIDWORKS	SIZE	A3	PART NO. Q0009-2B-060
REMOVE ALL SHARP EDGE & BURS			SHEET	1	OF	1	REV. A