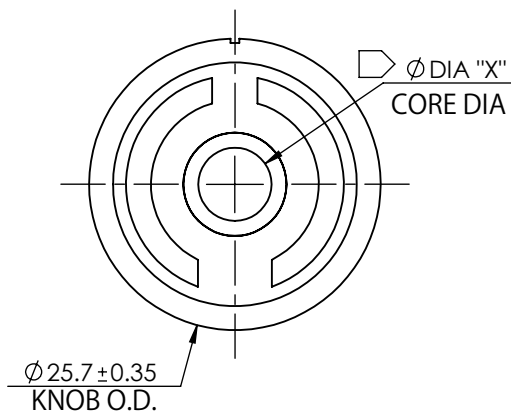
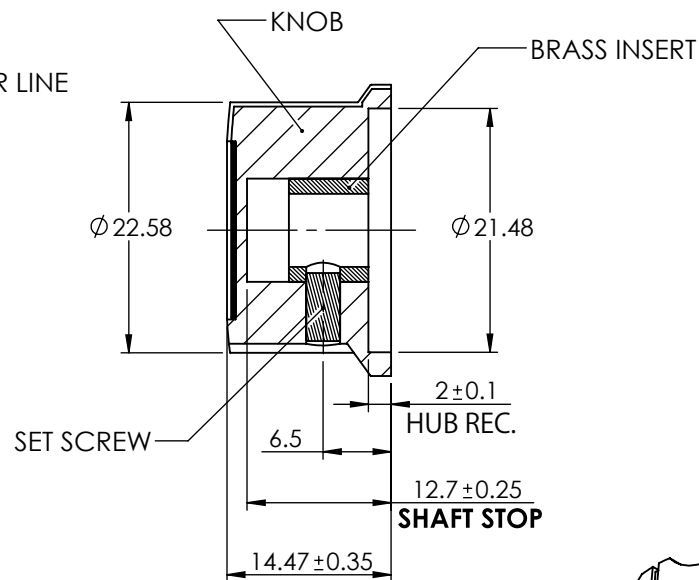
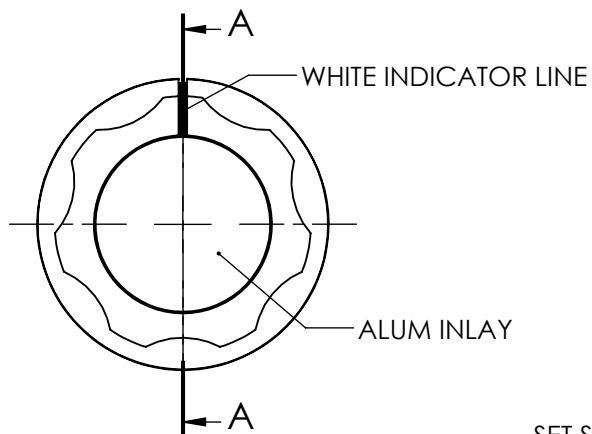
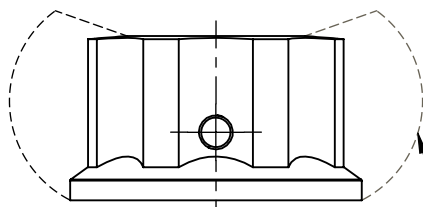
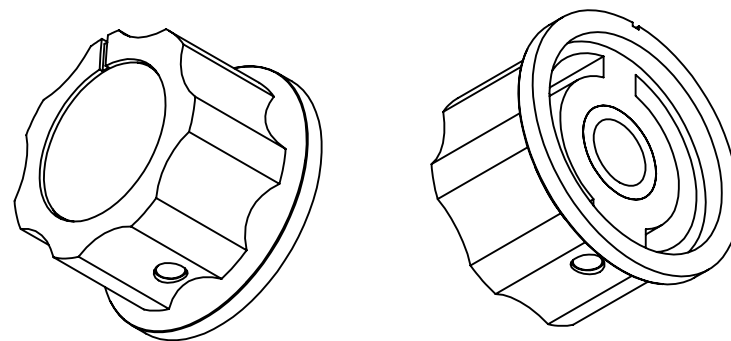


MAT'L	KNOB COLOR	ALUM CAP	CAP COLOR	BRASS INSERT	DIA "X"	SCREW	INDICATOR LINE	NOTE
PHENOLIC	BLACK	N/A	N/A	N-0947	Δ $\Phi 6.38^{+0.07}_0$	C-6187	WHITE	
		I-PKES-90B	NATURAL			C-M4*0.7*5 (内六角)		
		I-PKES-90B	NATURAL	N-0947-6MM	$\Phi 6^{+0.1}_0$	C-6187		



SEC A-A



THE FINISH TO BE HIGH GLOSS (SPE/SPI#2)

REV.	DATE	DESCRIPTION OF REVISION	APPR. BY
E	06/09-20	ADD 41009-3B1/4-M4 VERSION	
D	03/18-20	UPDATE DRAWINGS	
C	02/24-20	ADD 41009-3B6MM VERSION	
B	07/10-13	ADDED VERSION 41009-3B-1/4 &	
A	02/10-12	RE-DRAW TO SOLIDWORKS	

DRN: YULISA	DATE: 2012/02/10	TOLERANCES UNLESS OTHERWISE SPECIFIED X .5 .X .25 .XX .15 ANGLES ±1 REMOVE ALL SHARP EDGE & BURS			SCALE	UNIT	PROJ.	
CHKD:	DATE:		TITLE	KNOB		mm		
APPD:	DATE:	CAD	SOLIDWORKS	SIZE	PART NO: QU009-3B-060			
				A3	SHEET	1	OF 1	REV. E