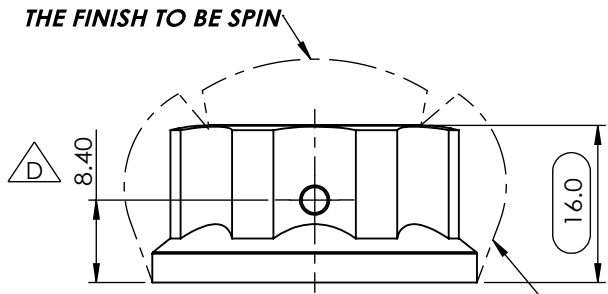
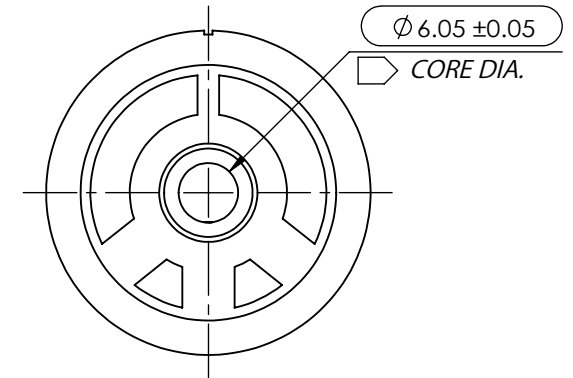
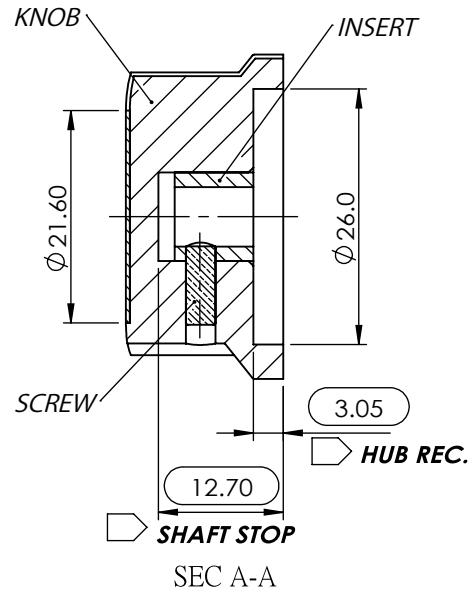
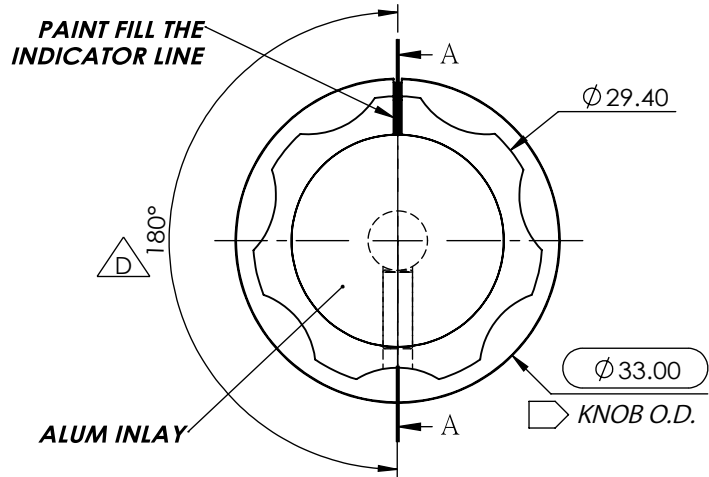
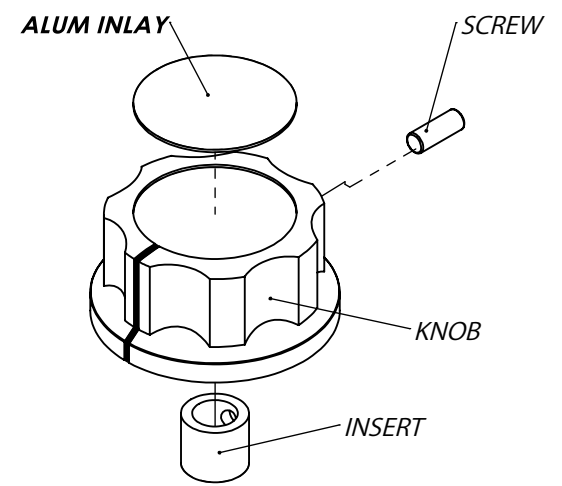
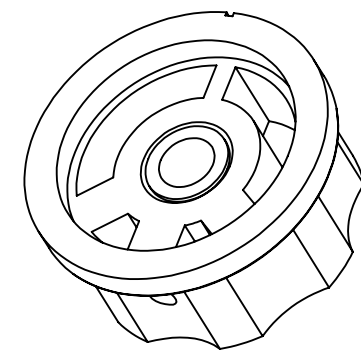


A B C D E F G H I J

MAT'L	COLOR	ALUM INLAY	COLOR	INSERT	SCREW	INDICATOR COLOR	NOTE
PHENOLIC	BLACK	I-PKES-120B (1203-00154)	NATURAL	N--0948-6MM (1204-00168)	FE-M3*8 (1202-00069)	WHITE	



THE FINISH TO BE HIGH GLOSS(SPE/SPI#2)



D	11/11-22	ADD 8.40 , 180 ° ADD P/N: 4-1437624-6 (Page 1.) ADD P/N: MPKES-120B1/4 (Page 1.) 49001-4B6MM-6316 MOVE TO Page 2.	Kane 11/15
C	08/01-18	ADD 41009-4B6MM-6316 (Page 2.)	
B	02/22-13	INCREASED 41009-4B1/4 AND ADDED NEW VERSION 1924	
A	07/01-11	NEW VERSION	
REV.	DATE	DESCRIPTION OF REVISION	CHKD.

DRN.	DATE	TOLERANCES UNLESS OTHERWISE SPECIFIED	TITLE	SCALE	UNIT	PROJ.
CHKD. Regina	2011/7/4	X .5 X .25 XX .15 ANGLES ±1	KNOB	mm	mm	QU009-4B-060
APPD.		REMOVE ALL SHARP EDGE & BURS				