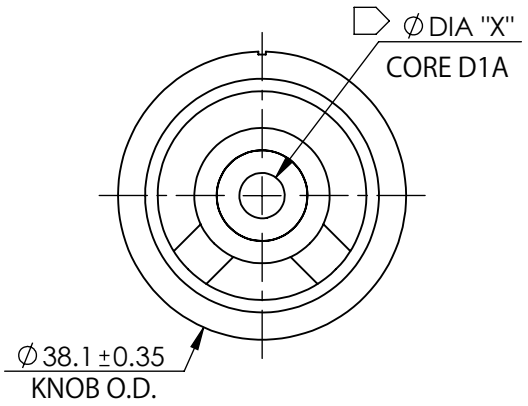
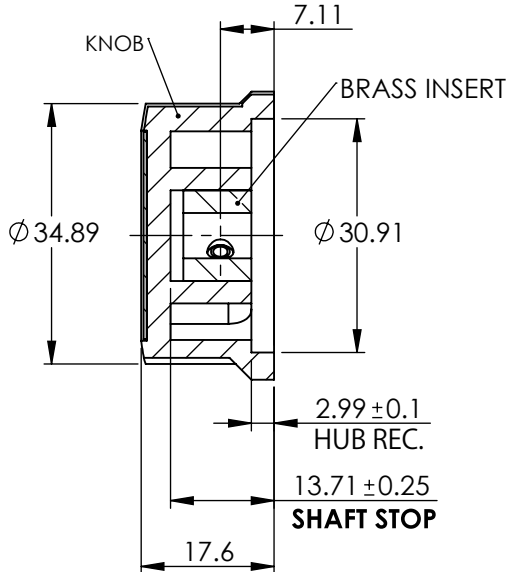
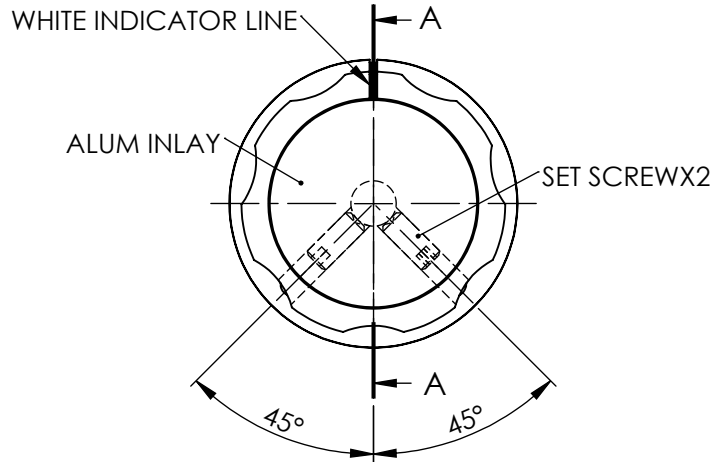
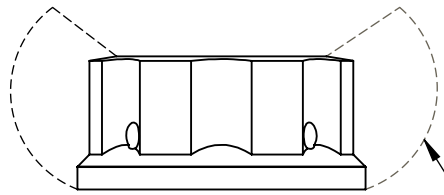


A B C D E F G H I J

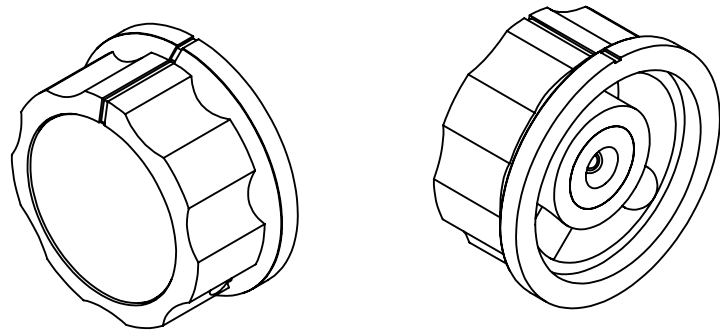
MAT'L	KNOB COLOR	ALUM CAP	CAP COLOR	BRASS INSERT	DIA "X"	SCREW	INDICATOR LINE	NOTE
PHENOLIC	BLACK	I-PKES-140B	NATURAL	N-1249-6MM	$\Phi 6^{+0.1}_{-0}$	C-6316(X2)	WHITE	



剖面圖 A-A



THE FINISH TO BE HIGH GLOSS(SPE/SPI#2)



REV.	DATE	DESCRIPTION OF REVISION	APPR. BY
B	03/18-20	UPDATE DRAWINGS	
A	02/25-20	ADD NEW VERSION	

DRN: ELVIS	DATE: 2020/02/25	TOLERANCES UNLESS OTHERWISE SPECIFIED X. ±0.5 .X ±0.25 -XX ±0.15 ANGLES ±1°	Linkman		SCALE	UNIT	PROJ.
CHKD:	DATE:		TITLE	KNOB		mm	
APPD:	DATE:	REMOVE ALL SHARP EDGE & BURS	CAD	SOLIDWORKS	SIZE	A3	PART NO. QU009-5B-060
				SHEET	1	OF	1
				REV.	B		