
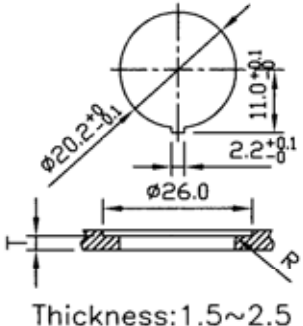
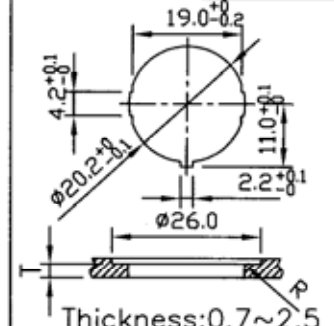
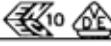
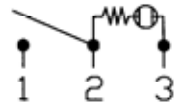


| | | | |
|-----------------------|--|--|---|
| Rating | 16A 125VAC, 10A 250VAC  |  |  |
| | 10(4)A 250V~  | | |
| Contact Resistance | 50m ohm Max. | | |
| Insulation Resistance | DC 500V 100M ohm Min. | | |
| Dielectric Strength | AC 1500V 1 minute | | |
| Operation Temperature | -25°C~85°C | | |
| Switch Function | 3P SPST ON-OFF(Illuminated) | | |

Circuit Diagram



***MATERIAL:**

Frame: Black, Nylon 66 (94-V2)
 Actuator: Red clear, PC (94-V2)
 Terminals: Silver plated, Copper alloy

△ #3 Terminal for lamp, Brass clean
 Waterproof rubber: Black, Silicone
 *Waterproof: IP65

