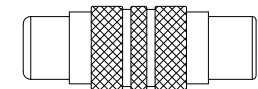
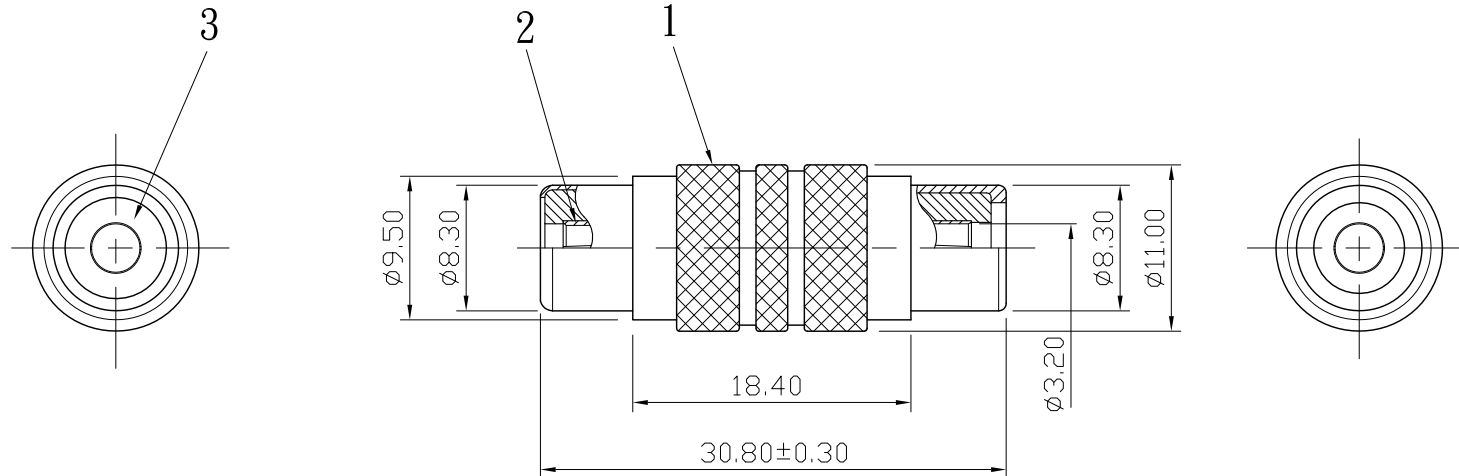


REMARK : RoHS REQUIREMENT APPLIED
(符合RoHS)



S 1 : 1

NO.	Description	Unit	Materials	Finish	Drawing No.	SCALE	2 : 1	UNIT	MM	CHECKED	DATE	FILE NO.			
7						DIMENSIONS ARE IN MILLIMETERS UNLESS OTHRWISE PECIFIED TOLERANCES (一般公差) 0.5~6 = ± 0.2 >6~30 = ± 0.4 >30~120 = ± 0.6 >120~315 = ± 1 >315~1000 = ± 1.6 ANGLES(角度) = $\pm 5^\circ$									
6															
5															
4															
3	insulator	2	POM	white						DRAWN		TITLE			
2	coact pin	1	brass	gold						<i>Chad</i>		RCA ADAPTOR			
1	body	1	brass	gold							2009.02.04	DRAWING NO.			
												RA-103GG-POM			
												FILE NO.			
												DRAWING\AUDIO\RA\RA-103GG-POM			