

# LCM MODULE

## TC1602E-13A (2)

Specification for Approval

APPROVED BY	CHECKED BY	PREPARED BY
		

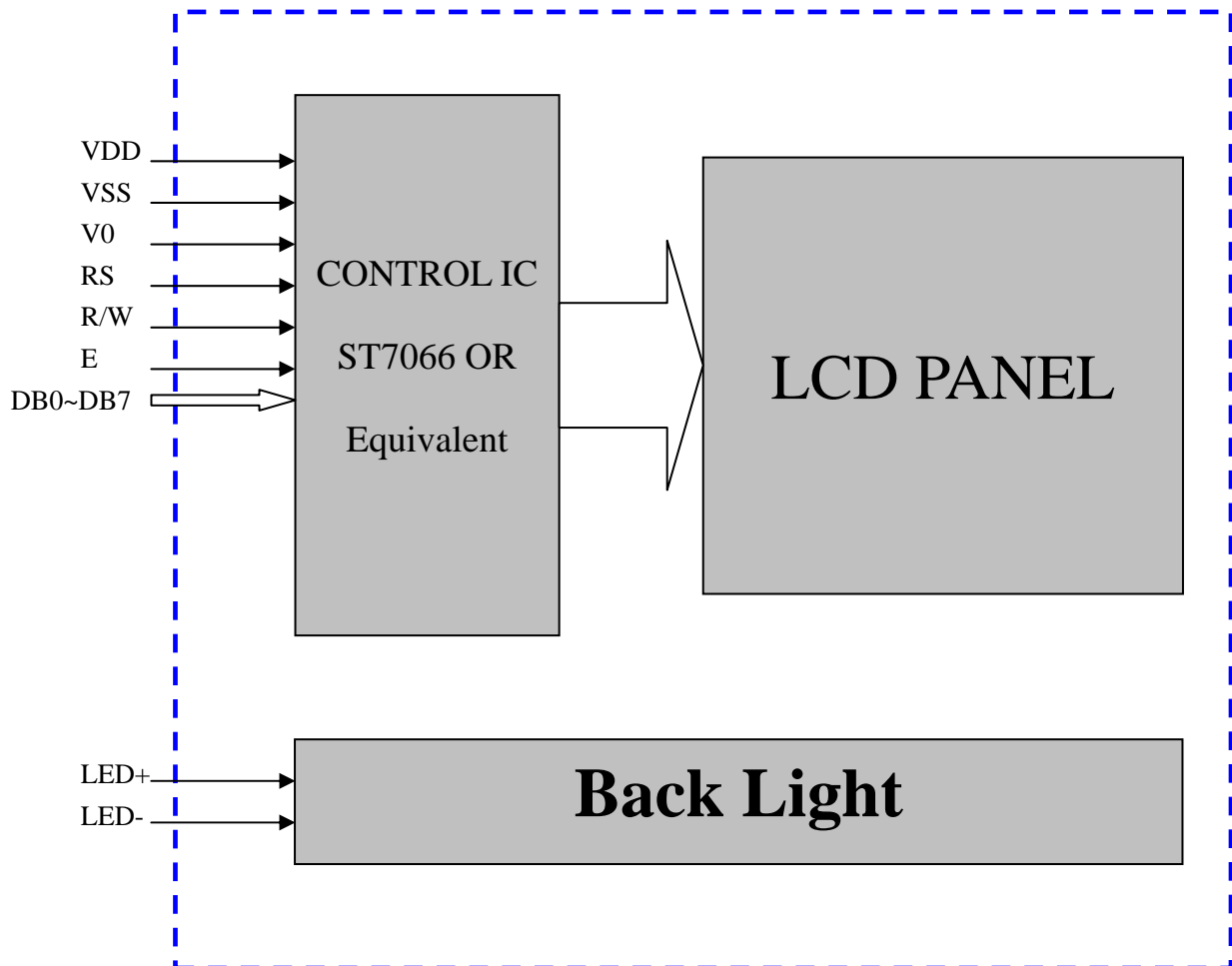
## CONTENTS

<b>FUNCTIONS &amp; FEATURES</b> .....	<b>3</b>
<b>BLOCK DIAGRAM</b> .....	<b>3</b>
<b>MODULE OUTLINE DRAWING</b> .....	<b>4</b>
<b>INTERFACE PIN FUNCTIONS</b> .....	<b>5</b>
<b>ABSOLUTE MAXIMUM RATINGS (Ta = 25°C)</b> .....	<b>5</b>
<b>DC ELECTRICAL CHARACTERISTICS</b> .....	<b>5</b>
<b>LED BACKLIGHT CHARACTERISTICS</b> .....	<b>5</b>
<b>CONNECTION WITH MCU</b> .....	<b>6</b>
Typical V0 connections for display contrast .....	6
MPU Interface 4-Bit/8-Bit .....	6
<b>AC CHARACTERISTICS</b> .....	<b>7</b>
<b>OPTICAL CHARACTERISTICS</b> .....	<b>9</b>
<b>COMMAND TABLE</b> .....	<b>11</b>
<b>RESET FUNCTIONS</b> .....	<b>12</b>
<b>DISPLAY DATA RAM (DDRAM)</b> .....	<b>14</b>
<b>CHARACTER GENERATOR ROM</b> .....	<b>15</b>
<b>RELIABILITY TEST CONDITION</b> .....	<b>16</b>
<b>PRECAUTION FOR USING LCM MODULE</b> .....	<b>17</b>
<b>OTHERS</b> .....	<b>17</b>
<b>APPENDIX A: DATE CODE RULES</b> .....	<b>18</b>
<b>APPENDIX B: CHANGE NOTES</b> .....	<b>18</b>

## FUNCTIONS & FEATURES

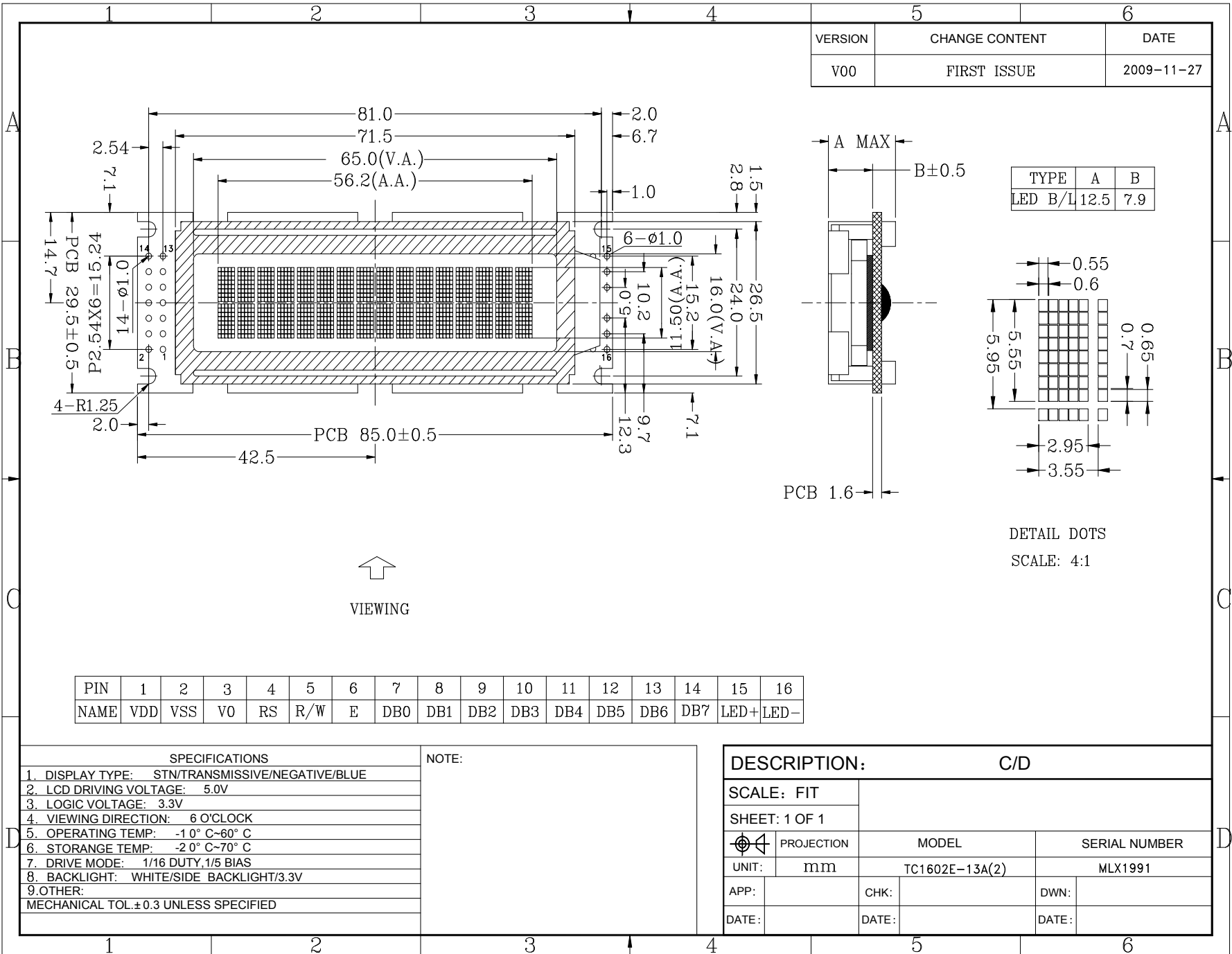
- Construction : COB(Chip-on-Board)
- Display Format : 16x2 Characters
- Display Type : STN, Transmissive, Negative, Blue
- Controller : ST7066U or equivalent controller
- Interface : 8-bit parallel interface
- Backlight : white\side lights
- Viewing Direction : 6 O'clock
- Driving Scheme : 1/16 Duty Cycle, 1/5 Bias
- Power Supply Voltage : 3.3V
- V<sub>LCD</sub> Adjustable For Best Contrast : 5.0 V (V<sub>OP.</sub>)
- Operation temperature : -10°C to +60°C
- Storage temperature : -20°C to +70°C

## BLOCK DIAGRAM



MODULE OUTLINE DRAWING

TC1602E-13A(2)



## INTERFACE PIN FUNCTIONS

Pin No.	Symbol	Level	Description
1	VDD	+3.3V	Power supply for logic operating.
2	VSS	0V	Ground.
3	V0	--	Adjusting supply voltage for LCD driving.
4	RS	H/L	A signal for selecting registers: 1: Data Register (for read and write) 0: Instruction Register (for write), Busy flag-Address Counter (for read).
5	R/W	H/L	R/W = "H": Read mode. R/W = "L": Write mode.
6	E	H/L	An enable signal for writing or reading data.
7	DB0	H/L	This is an 8-bit bi-directional data bus.
8	DB1	H/L	
9	DB2	H/L	
10	DB3	H/L	
11	DB4	H/L	
12	DB5	H/L	
13	DB6	H/L	
14	DB7	H/L	
15	LED+	+3.3V	Power supply for backlight.
16	LED-	0V	The backlight ground.

## ABSOLUTE MAXIMUM RATINGS ( Ta = 25°C )

Parameter	Symbol	Min	Max	Unit
Supply voltage for logic	V <sub>DD</sub>	-0.3	+7.0	V
Supply voltage for LCD	V <sub>o</sub>	0	V <sub>DD</sub> +0.3	V
Input voltage	V <sub>i</sub>	-0.3	V <sub>DD</sub> +0.3	V
Normal Operating temperature	T <sub>OP</sub>	-10	+60	°C
Normal Storage temperature	T <sub>ST</sub>	-20	+70	°C

**Note:** Stresses beyond those given in the Absolute Maximum Rating table may cause operational errors or damage to the device. For normal operational conditions see AC/DC Electrical Characteristics.

## DC ELECTRICAL CHARACTERISTICS

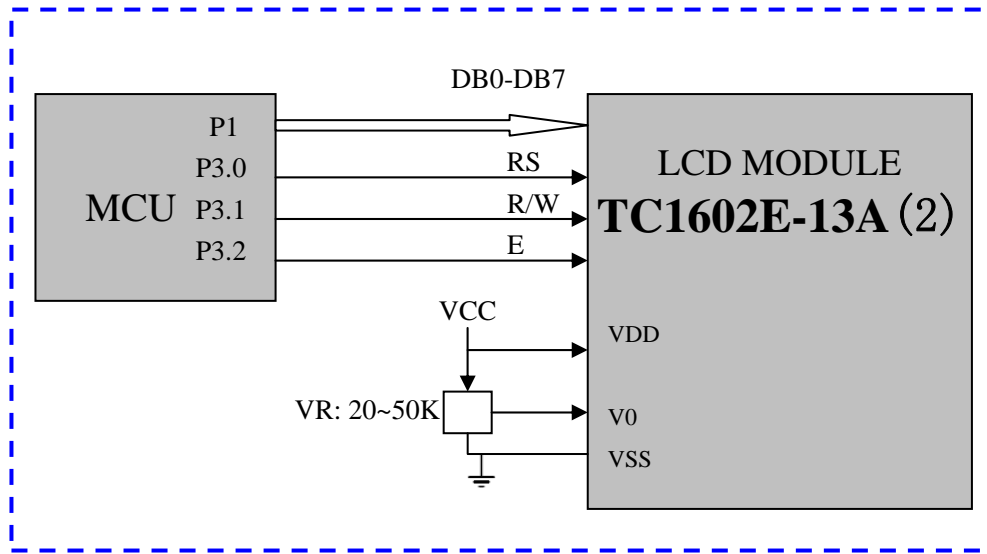
Parameter	Symbol	Condition	Min	T <sub>YP</sub>	Max	Unit
Supply voltage for logic	VDD	--	3.1	3.3	3.5	V
Supply current for logic	IDD	--	--	3	8	mA
Operating voltage for LCD	VLCD	-10°C				
		25°C	4.8	5.0	5.2	V
		+60°C				
Input voltage "H" level	VIH	--	0.7 VDD	--	VDD+0.3	V
Input voltage "L" level	VIL	--	0	--	0.2VDD	V
Supply voltage for Back Light	VBL	--	3.1	3.3	3.5	V
Supply current for Back Light	IBL	--	10	15	20	mA

## LED BACKLIGHT CHARACTERISTICS

COLOR	Wavelength $\lambda_p$ (nm)	Operating Voltage( $\pm 0.15V$ )	Spectral line half width $\Delta \lambda$ (nm)	Forward Current (mA)
white	--	3.0	--	15

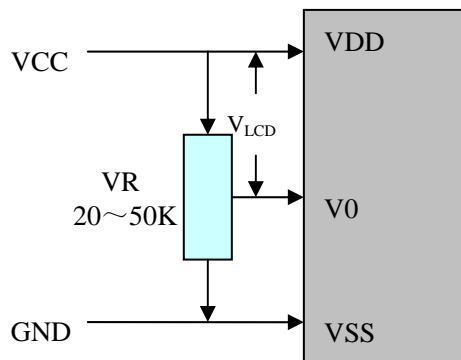
**NOTE:** Do not connect +5V directly to the backlight terminals. This will ruin the backlight.

## CONNECTION WITH MCU



### (1) Typical V0 connections for display contrast

Adjust V0 to +5.0V (VLCD=+5.0 V) as an initial setting. When the module is operational, readjust V0 for optimal display appearance.



We recommend allowing field adjustment of V0 for all designs. The optimal value for V0 will change with temperature, variations in VDD, and viewing angle. V0 will also vary module-to-module and batch-to-batch due to normal manufacturing variations.

Ideally, adjustment to V0 should be available to the end user so each user can adjust the display to the optimal contrast for their required viewing conditions. As a minimum, your design should allow V0 to be adjusted as part of your product's final test.

Although a potentiometer is shown as a typical connection, V0 can be driven by your microcontroller, either by using a DAC or a filtered PWM. Displays that require V0 to be negative may need a level-shifting circuit. Please do not hesitate to contact Tinsharp application support for design assistance on your application.

## (2) MPU Interface 4-bit/8-Bit

There are two types of data operations: 4-bit and 8-bit operations. Using 4-bit MPU, the interfacing 4-bit data is transferred by 4-busline (DB4~DB7). Thus, DB0 to DB3 bus lines are not used. Using 4-bit MPU to interface 8-bit data requires two times transferring. First, the higher 4-bit data is transferred by 4-busline (for 8-bit operation, DB7~DB4). Secondly, the lower 4-bit data is transferred by 4-busline (for 8-bit operation, DB3~DB0). For 8-bit MPU, the 8-bit data is transferred by 8-busline (DB0~DB7).

## AC CHARACTERISTICS

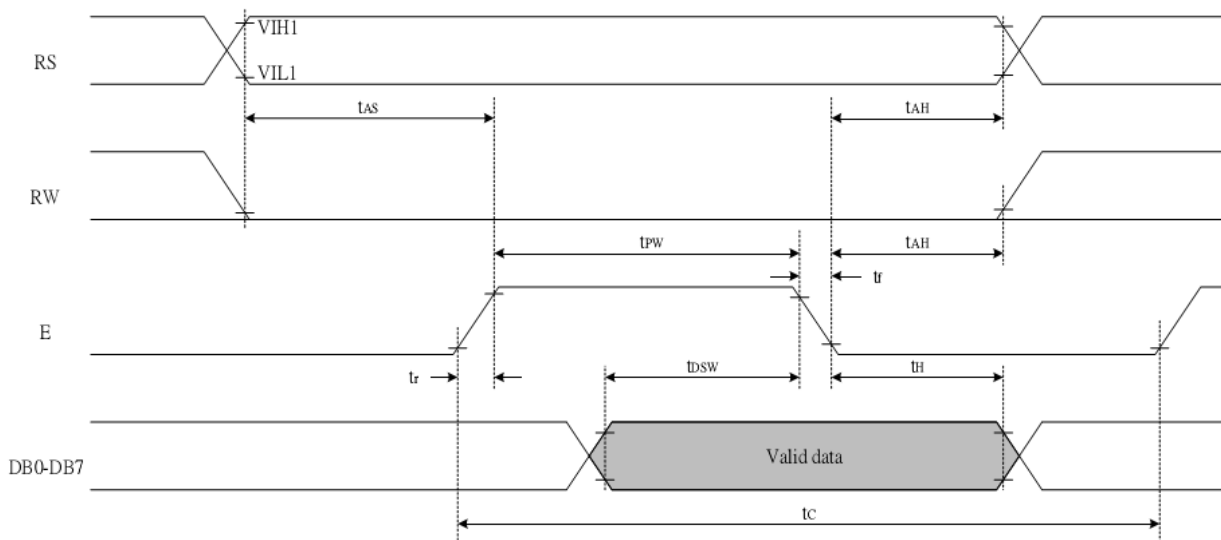
### (1) Write Mode (Writing data from MCU to ST7066U)

Symbol	Characteristics	Test Condition	Min.	Typ.	Max.	Unit
<i>Internal Clock Operation</i>						
f <sub>OSC</sub>	OSC Frequency	R = 91K $\square$	190	270	350	KHz
<i>External Clock Operation</i>						
f <sub>EX</sub>	External Frequency	-	125	270	410	KHz
	Duty Cycle	-	45	50	55	%
T <sub>R</sub> ,T <sub>F</sub>	Rise/Fall Time	-	-	-	0.2	$\mu$ s
<i>Write Mode (Writing data from MPU to ST7066U)</i>						
T <sub>C</sub>	Enable Cycle Time	Pin E	1200	-	-	ns
T <sub>PW</sub>	Enable Pulse Width	Pin E	140	-	-	ns
T <sub>R</sub> ,T <sub>F</sub>	Enable Rise/Fall Time	Pin E	-	-	25	ns
T <sub>AS</sub>	Address Setup Time	Pins: RS,RW,E	0	-	-	ns
T <sub>AH</sub>	Address Hold Time	Pins: RS,RW,E	10	-	-	ns
T <sub>DSW</sub>	Data Setup Time	Pins: DB0 - DB7	40	-	-	ns
T <sub>H</sub>	Data Hold Time	Pins: DB0 - DB7	10	-	-	ns

## (2) Read Mode (Reading data from ST7066U to MCU)

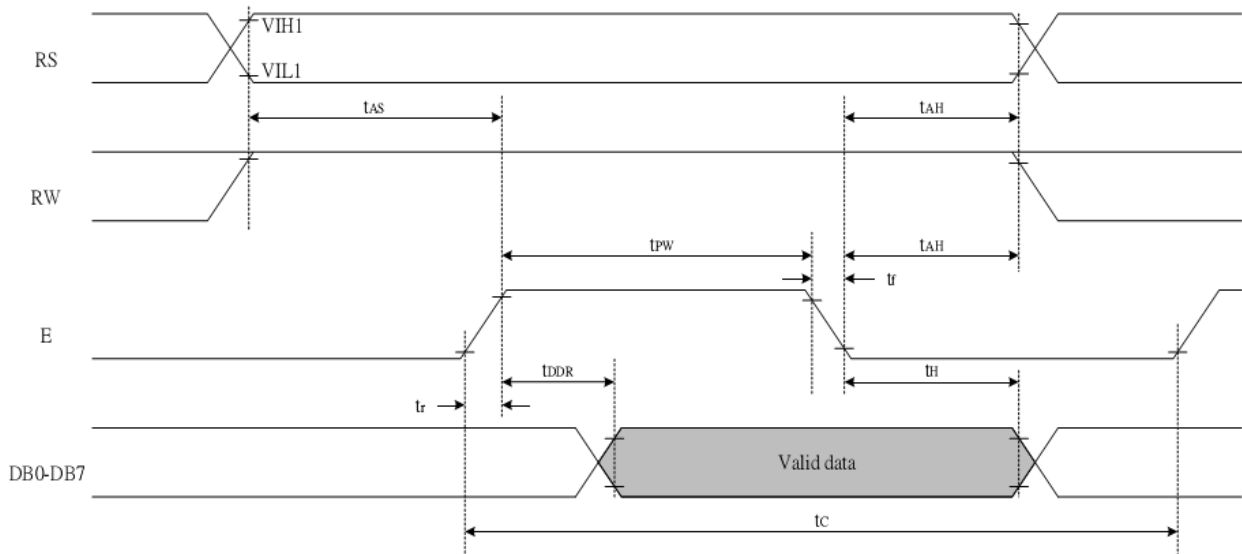
<i>Read Mode (Reading Data from ST7066U to MPU)</i>						
$T_C$	Enable Cycle Time	Pin E	1200	-	-	ns
$T_{PW}$	Enable Pulse Width	Pin E	140	-	-	ns
$T_{R}, T_F$	Enable Rise/Fall Time	Pin E	-	-	25	ns
$T_{AS}$	Address Setup Time	Pins: RS,RW,E	0	-	-	ns
$T_{AH}$	Address Hold Time	Pins: RS,RW,E	10	-	-	ns
$T_{DDR}$	Data Setup Time	Pins: DB0 - DB7	-	-	100	ns
$T_H$	Data Hold Time	Pins: DB0 - DB7	10	-	-	ns
<i>Interface Mode with LCD Driver(ST7065)</i>						
$T_{CWH}$	Clock Pulse with High	Pins: CL1, CL2	800	-	-	ns
$T_{CWL}$	Clock Pulse with Low	Pins: CL1, CL2	800	-	-	ns
$T_{CST}$	Clock Setup Time	Pins: CL1, CL2	500	-	-	ns
$T_{SU}$	Data Setup Time	Pin: D	300	-	-	ns
$T_{DH}$	Data Hold Time	Pin: D	300	-	-	ns
$T_{DM}$	M Delay Time	Pin: M	0	-	2000	ns

## (2) Write Mode Timing Diagram (Writing data from MCU to ST7066U)

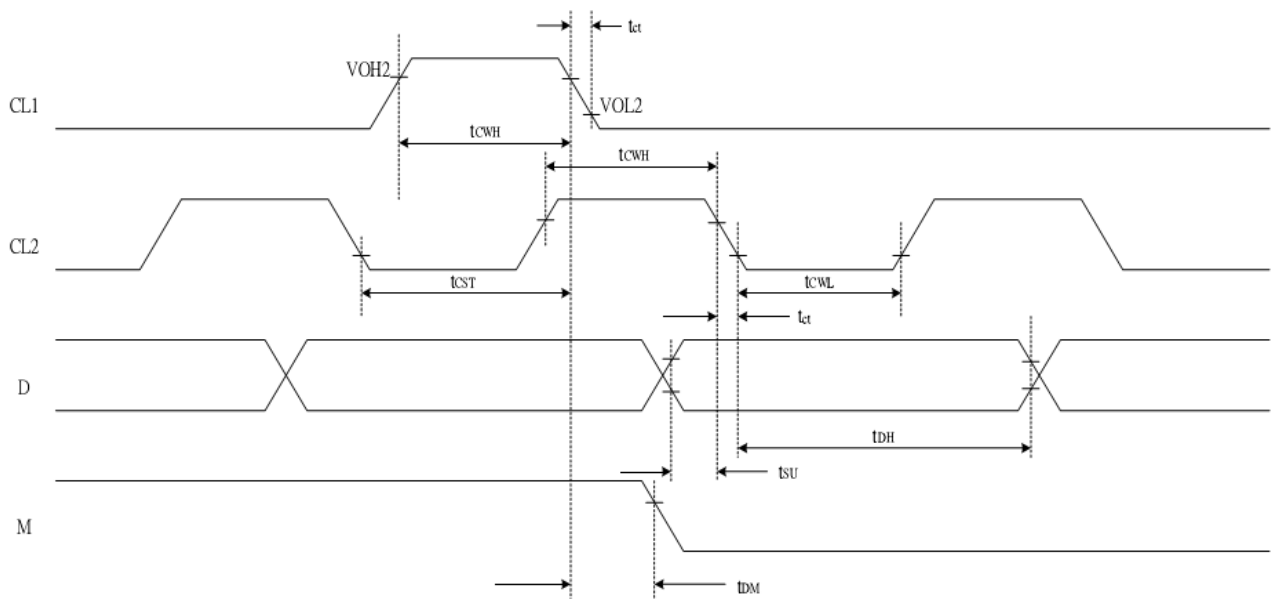




## (3) Read Mode Timing Diagram (Reading data from ST7066U to MCU)



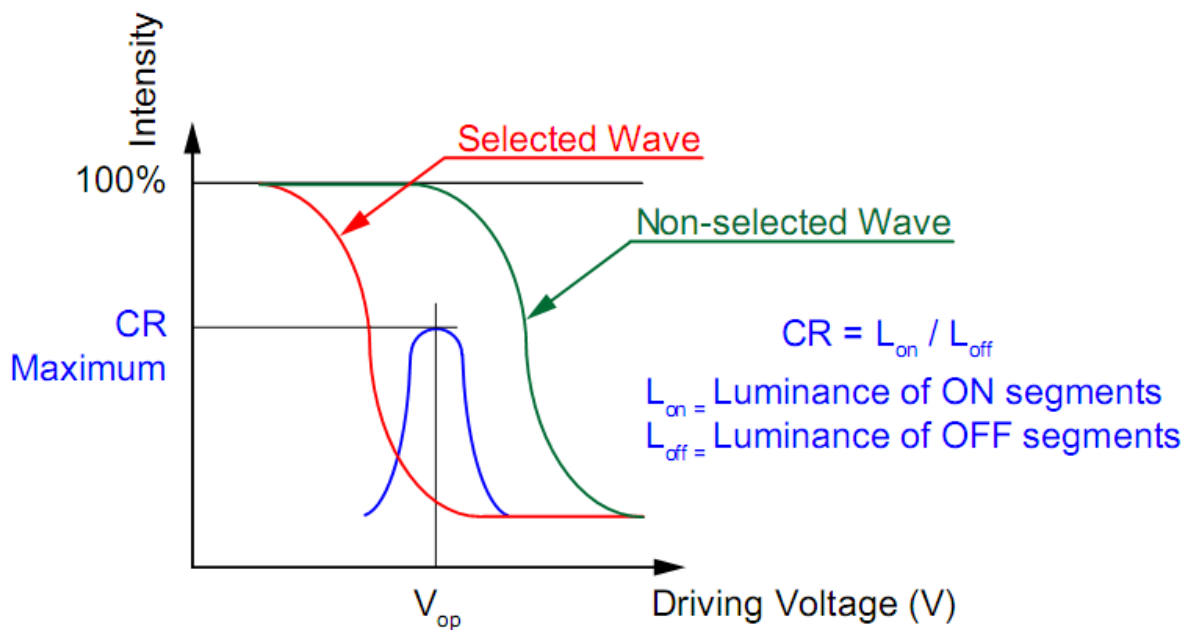
## (5) Interface Timing with External Driver



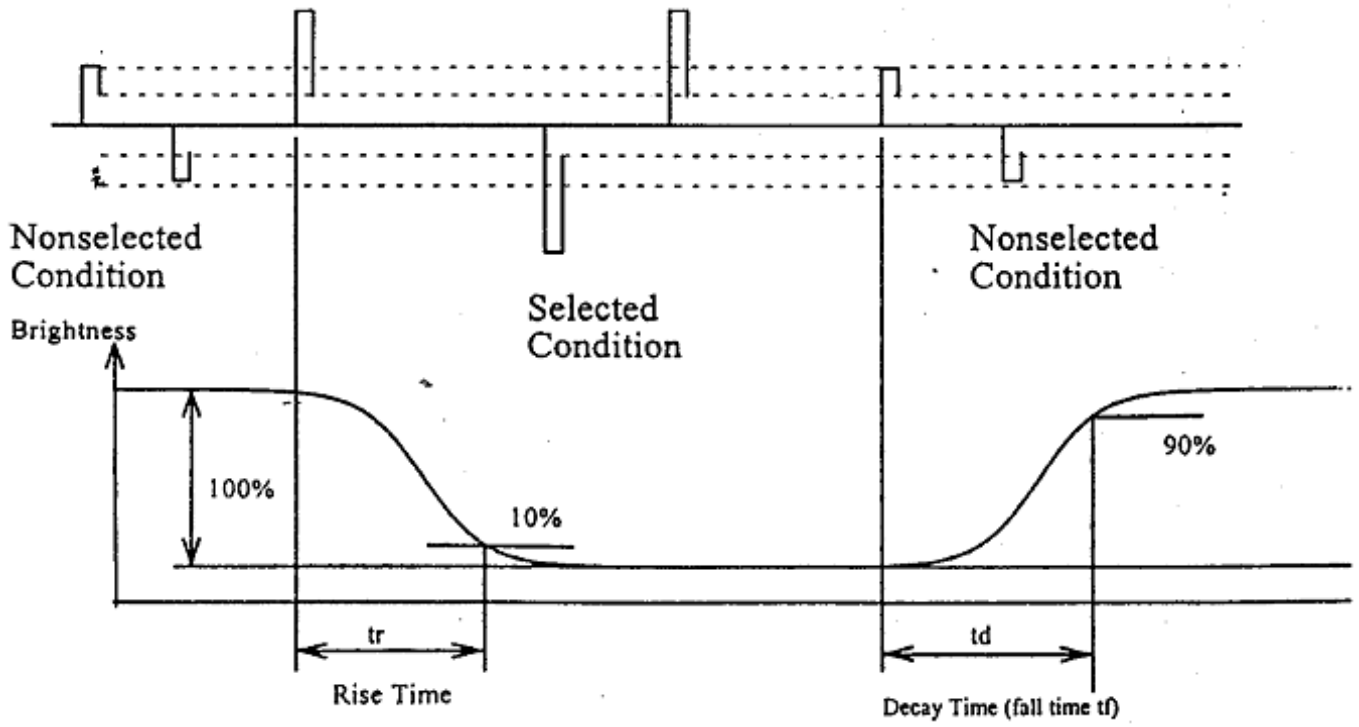
## OPTICAL CHARACTERISTICS

ITEM	SYMBOL	CONDITION	MIN	TYP	MAX	UNIT	NOTE
Contrast ratio	CR	$\theta=0, \Phi=0$	-	4	-		
Response time(rise)	Tr	25°C		-	250	ms	
Response time(fall)	Td			-	350		
Viewing angle	$\theta_f$	25°C		35		deg.	
	$\theta_b$			30			
	$\theta_l$			25			
	$\theta_r$			25			

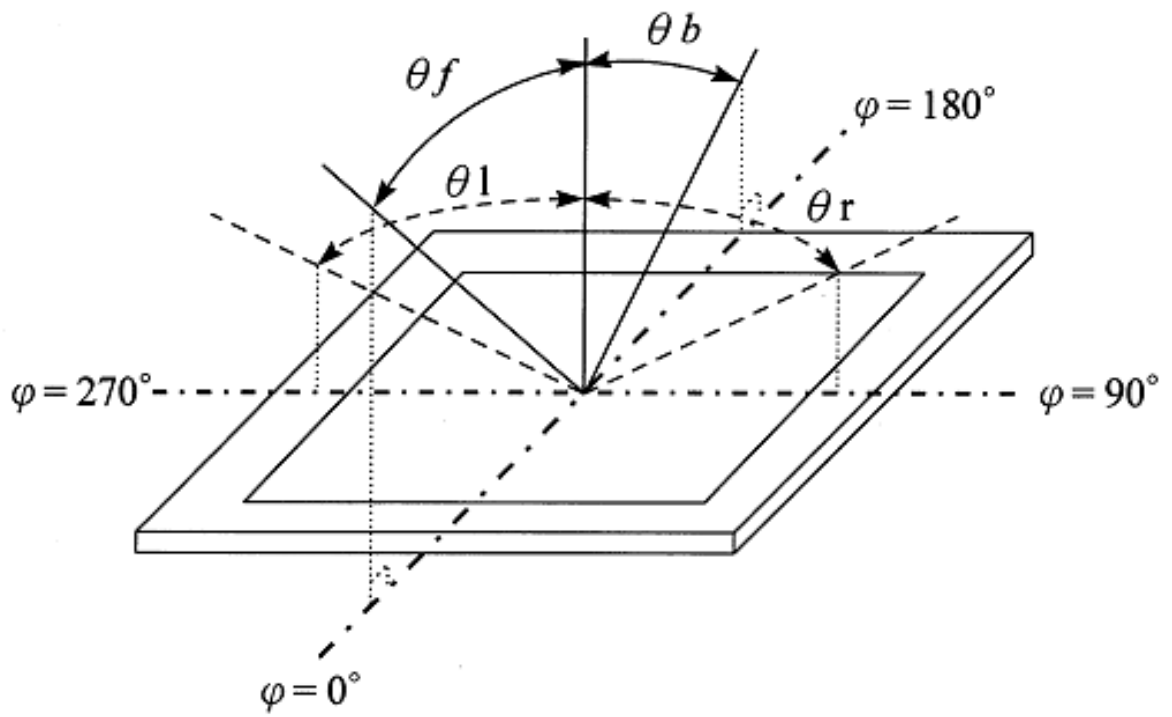
Note1: Definition Operation Voltage (Vop.)



Note2: Response time



Note3: Viewing angle



## COMMAND TABLE

Instruction	Instruction Code										Description	Description Time (270KHz)	
	RS	R/W	DB7	DB6	DB5	DB4	DB3	DB2	DB1	DB0			
Clear Display	0	0	0	0	0	0	0	0	0	1	Write "20H" to DDRAM. and set DDRAM address to "00H" from AC	1.52 ms	
Return Home	0	0	0	0	0	0	0	0	0	1	x	Set DDRAM address to "00H" from AC and return cursor to its original position if shifted. The contents of DDRAM are not changed.	1.52 ms
Entry Mode Set	0	0	0	0	0	0	0	0	1	I/D	S	Sets cursor move direction and specifies display shift. These operations are performed during data write and read.	37 us
Display ON/OFF	0	0	0	0	0	0	0	1	D	C	B	D=1:entire display on C=1:cursor on B=1:cursor position on	37 us
Cursor or Display Shift	0	0	0	0	0	0	1	S/C	R/L	x	x	Set cursor moving and display shift control bit, and the direction, without changing DDRAM data.	37 us
Function Set	0	0	0	0	1	DL	N	F	x	x	DL:interface data is 8/4 bits N:number of line is 2/1 F:font size is 5x11/5x8	37 us	
Set CGRAM address	0	0	0	1	AC5	AC4	AC3	AC2	AC1	AC0	Set CGRAM address in address counter	37 us	
Set DDRAM address	0	0	1	AC6	AC5	AC4	AC3	AC2	AC1	AC0	Set DDRAM address in address counter	37 us	
Read Busy flag and address	0	1	BF	AC6	AC5	AC4	AC3	AC2	AC1	AC0	Whether during internal operation or not can be known by reading BF. The contents of address counter can also be read.	0 us	
Write data to RAM	1	0	D7	D6	D5	D4	D3	D2	D1	D0	Write data into internal RAM (DDRAM/CGRAM)	37 us	
Read data from RAM	1	1	D7	D6	D5	D4	D3	D2	D1	D0	Read data from internal RAM (DDRAM/CGRAM)	37 us	

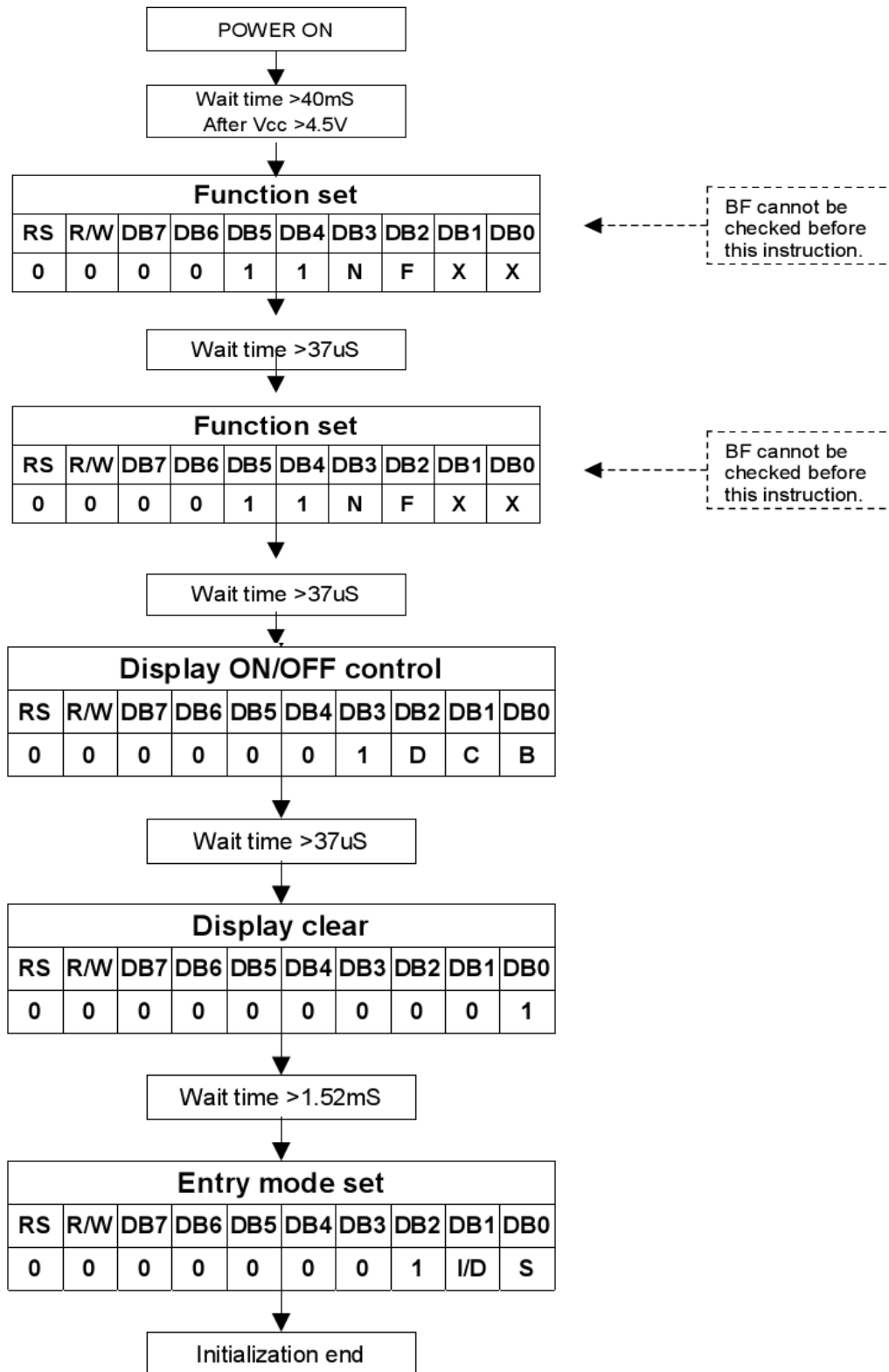
Note:

Be sure the ST7066U is not in the busy state (BF = 0) before sending an instruction from the MPU to the ST7066U. If an instruction is sent without checking the busy flag, the time between the first instruction and next instruction will take much longer than the instruction time itself. Refer to Instruction Table for the list of each instruction execution time.

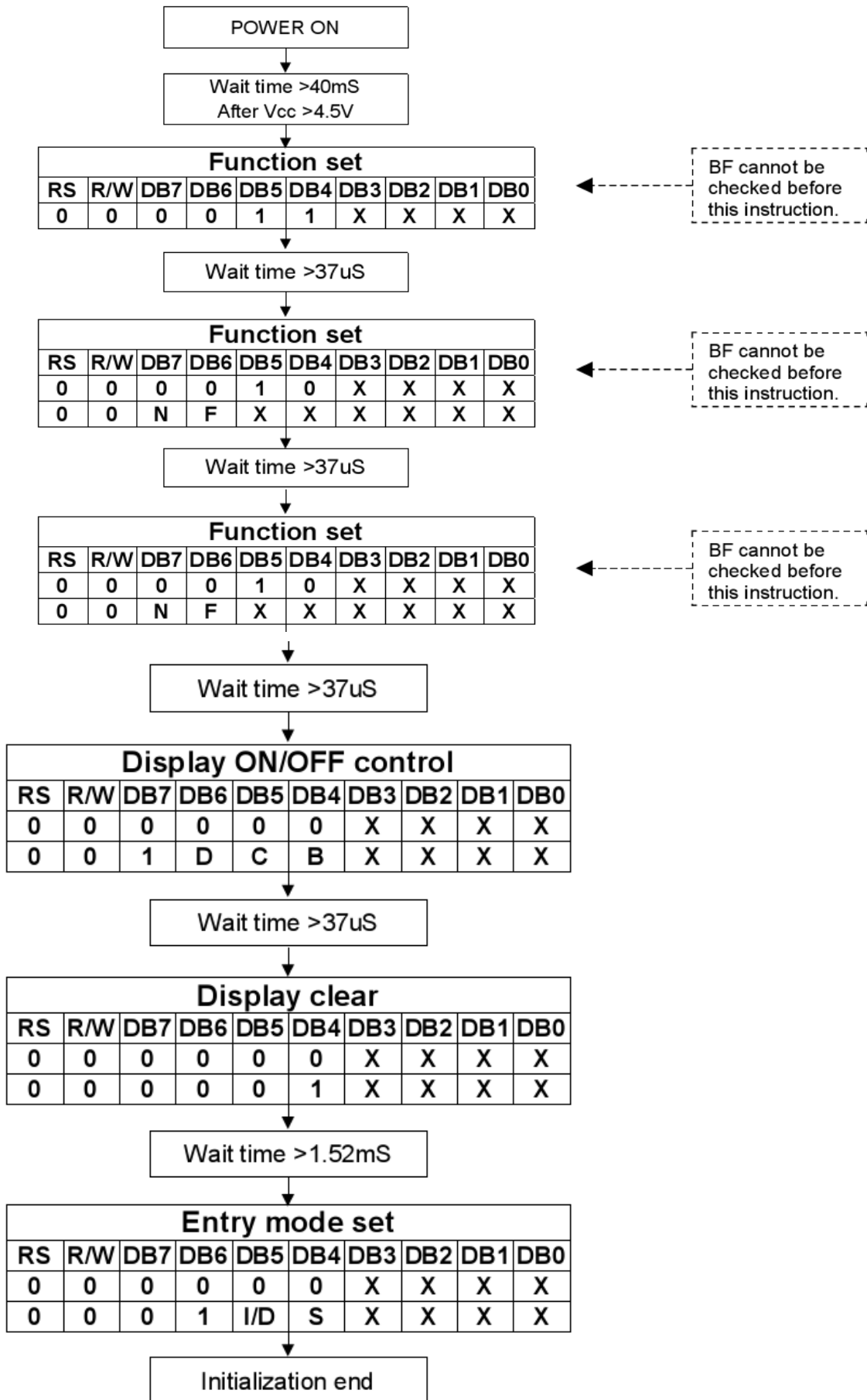
## RESET FUNCTION

At power on, ST7066U starts the internal auto-reset circuit and executes the initial instructions. The initial procedures are shown as follows:

### 8-bit interface (fosc=270 kHz):



### 4-bit interface (fosc=270 kHz):



## DISPLAY DATA RAM (DD RAM)

The 80-bit DD RAM is normally used for storing display data. Those DD RAM not used for display data can be used as general data RAM. Its address is configured in the Address Counter.

2 LINES X 16 CHARACTERS PER LINE																
Char.	1	2	3	4	5	6	7	8	9	10	11	12	13	14	15	16
Line 1	80	81	82	83	84	85	86	87	88	89	8A	8B	8C	8D	8E	8F
Line 2	C0	C1	C2	C3	C4	C5	C6	C7	C8	C9	CA	CB	CC	CD	CE	CF

### Timing Generation Circuit

The timing generating circuit is able to generate timing signals to the internal circuits. In order to prevent the internal timing interface, the MPU access timing and the RAM access timing are generated independently.

### LCD Driver Circuit

Total of 16 commons and 40 segments signal drivers are valid in the LCD driver circuit. When a program specifies the character fonts and line numbers, the corresponding common signals output drive-waveforms and the others still output unselected waveforms. The relationships between Display Data RAM Address and LCD's position are depicted as follows.

### Character Generator ROM (CG ROM)

Using 8-bit character code, the character generator ROM generates 5 x 8 dots or 5 x 10 dots character patterns. It also can generate 192's 5 x 8 dots character patterns and 64's 5 x 10 dots character patterns.

### Character Generator RAM (CG RAM)

Users can easily change the character patterns in the character generator RAM through program. It can be written to 5 x 8 dots, 8-character patterns or 5 x 10 dots for 4-character patterns.



## CHARACTER CODES

NO.7066-0A

<small>b7-b4</small> <small>b3-b0</small>	0000	0001	0010	0011	0100	0101	0110	0111	1000	1001	1010	1011	1100	1101	1110	1111
0000	CG RAM (1)			0	@	P	^	P				—	9	3	@	P
0001	(2)		!	1	A	Q	a	q			=	7	*	4	@	q
0010	(3)		"	2	B	R	b	r			7	4	9	×	P	@
0011	(4)		#	3	C	S	c	s			J	U	T	E	S	@
0100	(5)		\$	4	D	T	d	t			\	E	T	+	P	@
0101	(6)		%	5	E	U	e	u			.	*	*	1	@	@
0110	(7)		&	6	F	V	f	v			7	U	2	@	P	@
0111	(8)		'	7	G	W	g	w			7	*	×	7	g	@
1000	(1)		(	8	H	X	h	x			4	U	*	U	J	@
1001	(2)		)	9	I	Y	i	y			@	U	J	U	Y	@
1010	(3)		*	:	J	Z	j	z			@	U	n	V	J	@
1011	(4)		+	;	K	L	k	l			*	U	E	@	@	@
1100	(5)		,	<	L	*	l	l			@	U	U	U	@	@
1101	(6)		—	=	N	]	n	]			U	×	\	U	@	—
1110	(7)		.	>	N	^	n	^			@	U	@	@	@	@
1111	(8)		/	?	O	_	o	_			@	U	U	@	@	@

## RELIABILITY TEST CONDITION

No.	TEST Item	Content of Test	Test Condition	Applicable Standard
1	High temperature storage	Endurance test applying the high storage Temperature for a long time.	70° C 96hrs	-----
2	Low temperature storage	Endurance test applying the low storage Temperature for a long time	-20° C 96hrs	-----
3	High temperature operation	Endurance test applying the electric stress (Voltage & current)and the thermal stress to the element for a long time	60° C 96hrs	-----
4	Low temperature operation	Endurance test applying the electric stress Under low temperature for a long time	-10° C 96hrs	-----
5	High temperature/ Humidity storage	Endurance test applying the electric stress(Voltage & current) and Temperature/ Humidity stress to the element for a long time	40° C 90%RH 96hrs	
6	High temperature/ Humidity operation	Endurance test applying the electric stress (voltage & current)and temperature/ humidity stress to the element for a long time	40° C 90%RH 96hrs	
7	Temperature cycle	Endurance test applying the low and high temperature cycle. -10° C →25° C→60° C 30min←5min←30min.(1 cycle)	-10° C/60° C 10 cycle	-----

Supply voltage for logic system = 3.3V. Supply voltage for LCD system = Operating voltage at 25° C.

## Mechanical Test

Vibration test	Endurance test applying the vibration during transportation and using	10~22Hz→1.5mmp-p 22~500Hz→1.5G Total 0.5hour	
Shock test	Constructional and mechanical endurance test applying the shock during transportation.	50G half sign wave 11 msede 3 times of each direction	
Atmospheric pressure test	Endurance test applying the atmospheric pressure during transportation by air	115mbar 40hrs	
Static electricity test	Endurance test applying the electric stress to the terminal	VS=800V,RS-1.5K Ω CS=100pF, 1 time	

## Environmental condition

The inspection should be performed at the 1metre height from the LCD module under 2 pieces of 40W white fluorescent lamps (Normal temperature 20~25°C and normal humidity 60±15%RH).

## PRECAUTION FOR USING LCM MODULE

- Please remove the protection foil of polarizer before using.
- The display panel is made of glass. Do not subject it to a mechanical shock by dropping it from a high place, etc.
- If the display panel is damaged and the liquid crystal substance inside it leaks out, do not get any in your mouth. If the substance come into contact with your skin or clothes promptly wash it off using soap and water.
- Do not apply excessive force to the display surface or the adjoining areas since this may cause the color tone to vary.
- The polarizer covering the display surface of the LCD module is soft and easily scratched. Handle this polarize carefully.
- To prevent destruction of the elements by static electricity, be careful to maintain an optimum work environment.
  - Be sure to ground the body when handling the LCD module.
  - Tools required for assembly, such as soldering irons, must be properly grounded.
  - To reduce the amount of static electricity generated, do not conduct assembly and other work under dry conditions.
  - The LCD module is coated with a film to protect the display surface. Exercise care when peeling off this protective film since static electricity may be generated.
- Storage precautions

When storing the LCD modules, avoid exposure to direct sunlight or to the light of fluorescent lamps.  
Keep the modules in bags designed to prevent static electricity charging under low temperature / normal humidity conditions (avoid high temperature / high humidity and low temperatures below 0°C).Whenever possible, the LCD modules should be stored in the same conditions in which they were shipped from our company.

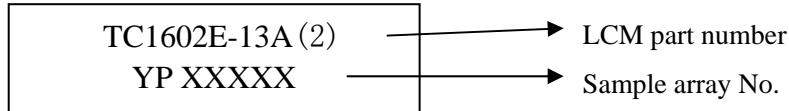
## OTHERS

- Liquid crystals solidify at low temperature (below the storage temperature range) leading to defective orientation of liquid crystal or the generation of air bubbles (black or white). Air bubbles may also be generated if the module is subjected to a strong shock at a low temperature.
- If the LCD modules have been operating for a long time showing the same display patterns may remain on the screen as ghost images and a slight contrast irregularity may also appear. Abnormal operating status can be resumed to be normal condition by suspending use for some time. It should be noted that this phenomena does not adversely affect performance reliability.
- To minimize the performance degradation of the LCD modules resulting from caused by static electricity, etc. exercise care to avoid holding the following sections when handling the modules :
  - Exposed area of the printed circuit board
  - Terminal electrode sections

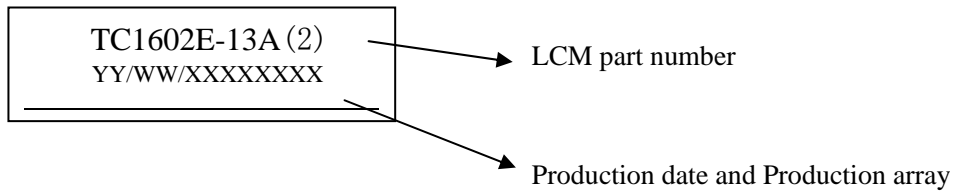
## A. DATE CODE RULES

### A.1. DATE CODE FOR SAMPLE

YP: meaning sample



### A.2. DATE CODE FOR PRODUCTION



A. TC1602E-13A(2) represents LCM part number

C. YY/WW represents Year, Week

YY—Year      WW—Week

XXXXXXXX—Production array No.

## B. CHANGE NOTES:

Ver.	Descriptions	Editor	Date
V00	First Issue	ZXQ	2018-06-26