

NOTE:

1.ELECTRICAL CHARACTERISTICS;

1.1 CONTACT RESISTANCE: 40mΩ Max FOR INITIAL. 50mΩ CHANGE AFTER TEST. MEASURE AT 20mV, 100mA.

1.2 CONTACT CURRENT RATING: 5A FOR VBUS PIN; 1.25A FOR VCONN PIN.

1.3 DIELECTRIC WITHSTANDING VOLTAGE: 100V AC R.M.S.

1.4 INSULATION RESISTANCE 100MΩ Min

1.5 OPERATING TEMPERATURE: -40°C~85°C

2.MECHANICAL CHARACTERISTICS:

2.1 MATING FORCE: 5~20N

2.2 UNMATED FORCE: 8~20N

2.3 DURABILITY: 10,000 CYCLES

5	Shell	1	SUS	T=0.15mm	60u"min. Nickel Plated
4	EMI Spring	2	SUS	T=0.08mm	No Plated
3	GND LATCH	1	SUS	T=0.30mm	Solder area: matte Tin Plated
2	Contact	24	COPPER ALLOY	T=0.15mm	Contact area: 0.8~30u"*(PD/Ni+)Gold Flash Solder area: 80u"min. matte Tin Plated over Nickel
1	Housing	3	THERMOPLASTIC	UL 94-V0	Black
No.	Name	Q'ty	Material	Remarks & Thickness	Finish

RoHS Compliant

TOLERANCES ARE

DRAWING BY CY

X ±

CHECKED BY GENIUS

.X ± 0.30

UNIT/ mm SCALE 1:1

.XX ± 0.20

DATE

.XXX ± 0.10

ANG ± 1°

SIZE A4

PPOJECTION

照片框

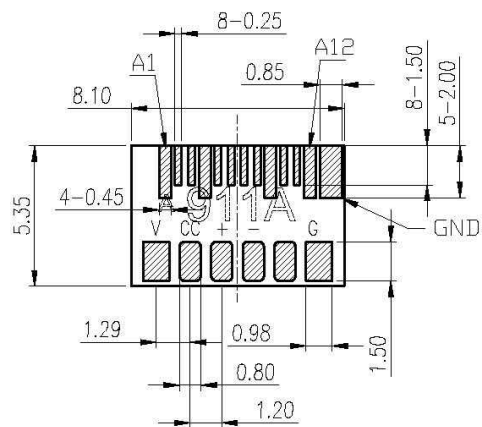
ORDER INFORMATION

USB-PS-24C-LF

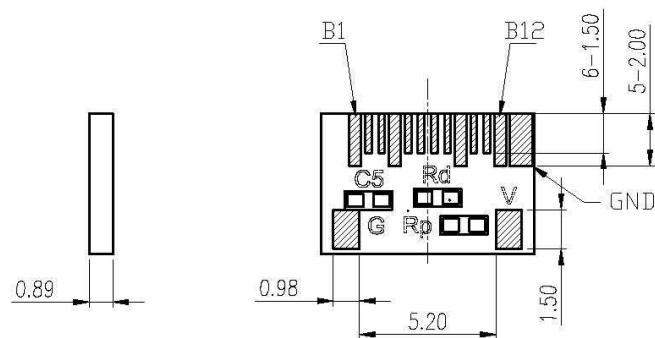
SERIES | LEADFREE  
24 WAY C TYPE  
SOLDER  
MALE

DESCRIPTION: USB3.1-C TYPE(M)180°夹板式(带板 2.0)

Specification	Brand	Part no	Q'ty	Location	Remark
電阻,56kΩ ±5%,0402,RoHS			1	Rp	
不焊件			0	Rd	
				C5	



RECOMMEND PCB LAYOUT  
TOP VIEW



RECOMMEND PCB LAYOUT  
BOTTOM VIEW

**RoHS Compliant**

TOLERANCES ARE

DRAWING BY CY

X ±  
.X ± 0.30  
.XX ± 0.20  
.XXX ± 0.10  
ANG ± 1°

CHECKED BY GENIUS

UNIT / mm SCALE 1 : 1

DATE

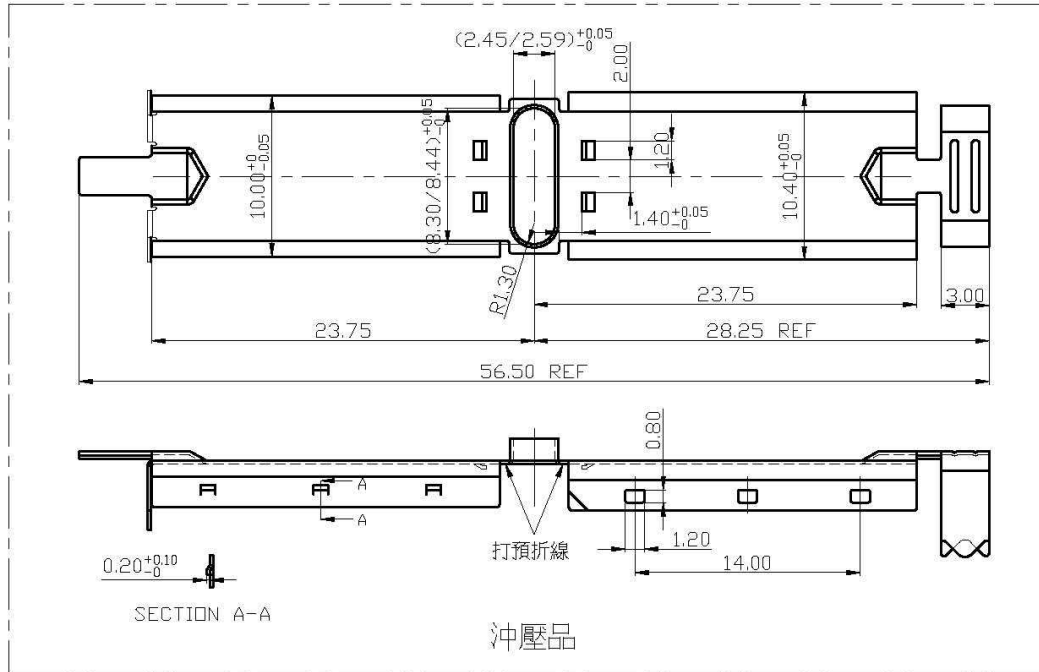
SIZE A4 PROJECTION

照片框

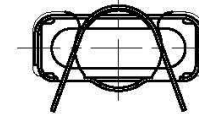
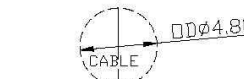
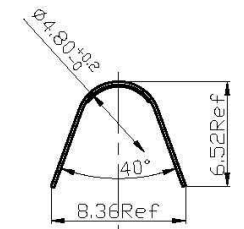
ORDER INFORMATION

USB-PS-24C-LF  
SERIES | LEADFREE  
24 WAY C TYPE  
SOLDER  
MALE

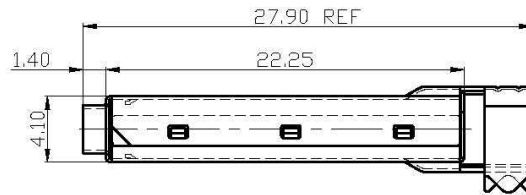
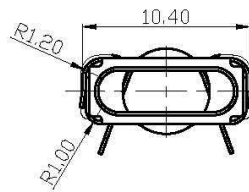
DESCRIPTION: USB3.1-C TYPE(M)180°夾板式(帶板 2.0)



- 注:
1. 材質: SUS304/SPCC, T=0.20mm
  2. 毛邊 0.02mm Max.
  3. 不能有壓傷, 模痕等不良
  4. 電鍍: 60u"min, Nickel Plated
  5. 建議 PCB 寬度 9.30Max



TYPE1 (OD  $\phi 4.8$ )



組裝扣合

RoHS Compliant

TOLERANCES ARE

DRAWING BY CY

X ±

CHECKED BY GENIUS

.X ± 0.20

UNIT / mm SCALE 1:1

.XX ± 0.10

DATE

.XXX ± 0.05

SIZE A4

PROJECTION

ANG ± 1°

照片框

ORDER INFORMATION

USB-PS-24C-LF

SERIES | LEADFREE

24 WAY C TYPE

SOLDER

MALE

DESCRIPTION: USB3.1-C TYPE(M)-內嵌(長款)OD